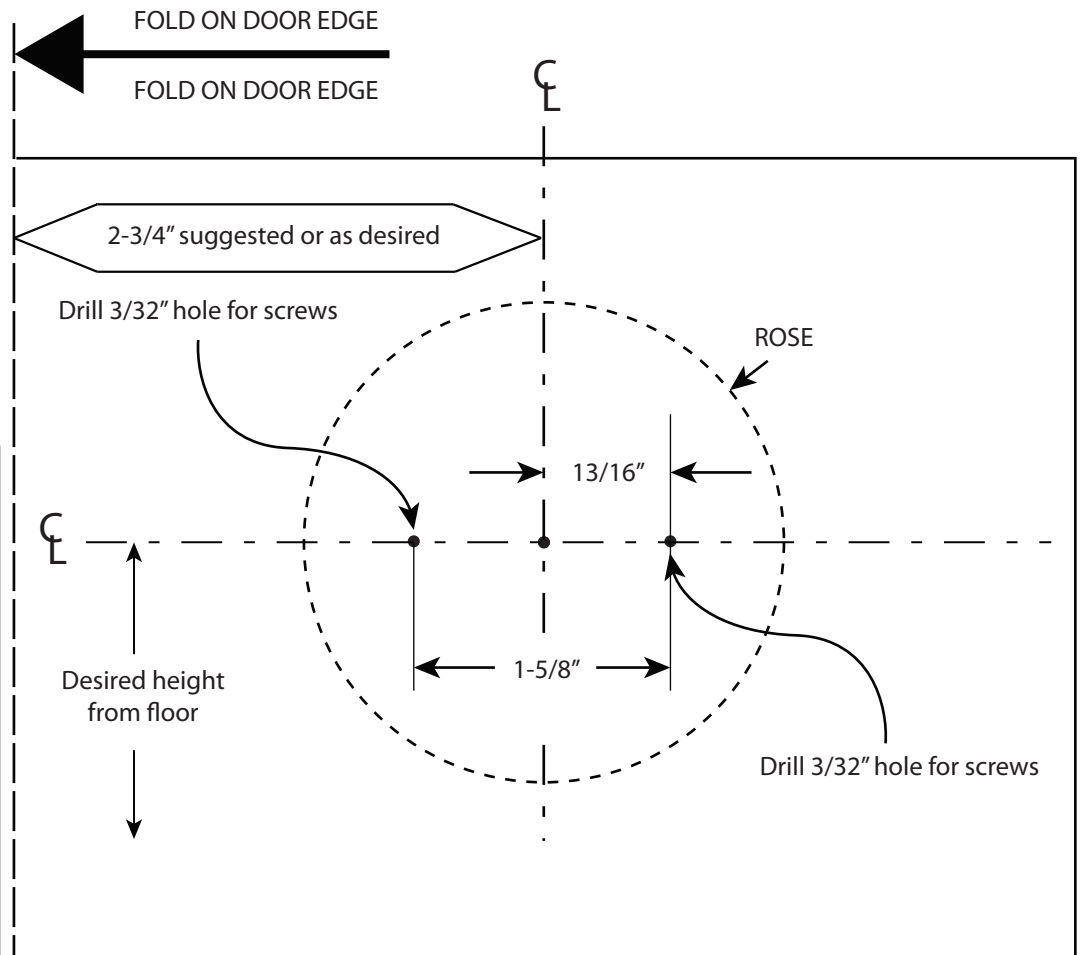
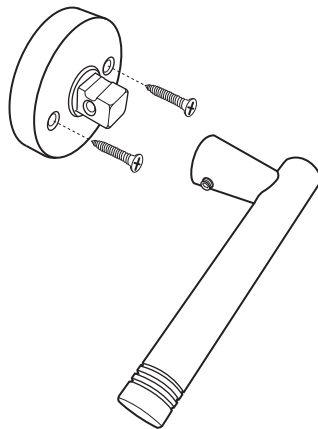
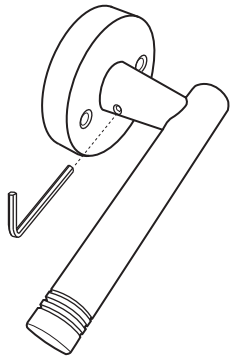


INSTRUCTIONS ON HOW TO INSTALL VAN-40 DUMMY LEVER

1. Using the allen wrench (supplied), detach the lever from the rose by unscrewing the lock screw to have easy access on installing the mounting screws as shown.

2. Screw the rose to the door then install the lever back.



- A. Fold and apply to high edge of door bevel and mark center of desired height from the floor.
- B. Mark center on door face through guide on template for 2-3/4" (70mm) backset or as desired.

NOTE: NO DOOR PREPARATION IS NEEDED EXCEPT FOR THE 2 PILOT HOLES FOR THE SCREWS SUPPLIED.



6605 Flotilla St.
City of Commerce
CA 90040 USA
Tel: (323) 888-6601
FAX: (323) 888-6699
Website: cal-royal.com
Email: sales@cal-royal.com

ITEM NO.	DESCRIPTION	ANSI	SCALE	UNIT	VERSION
VAN-40	CONTEMPORARY SERIES DUMMY LOCKSET	Grade 3	1 : 1	inches (mm)	ver. 1.0 rev. 01/12
			PAGE 1 OF 1		BY: bteves/adg