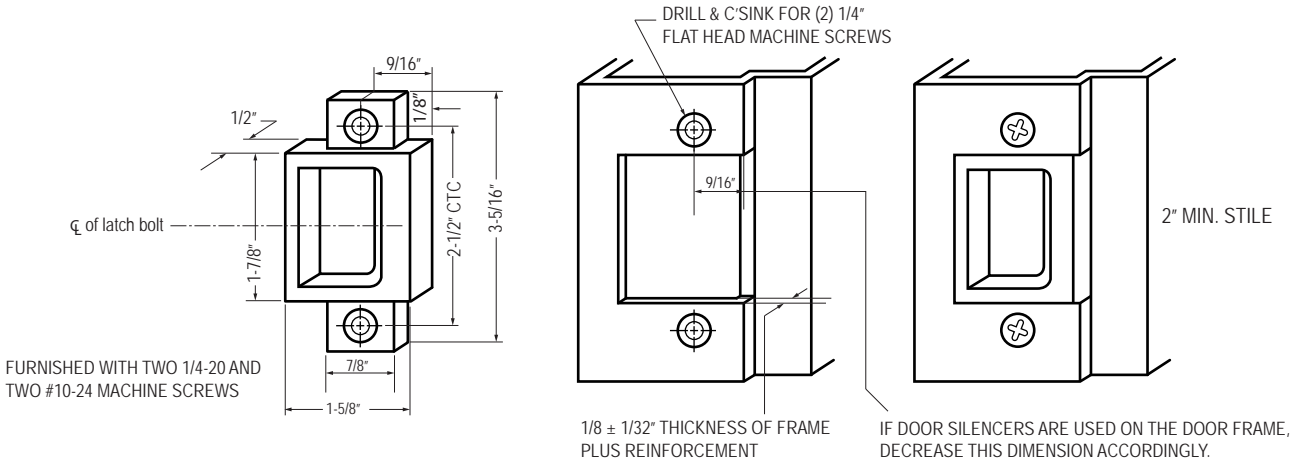


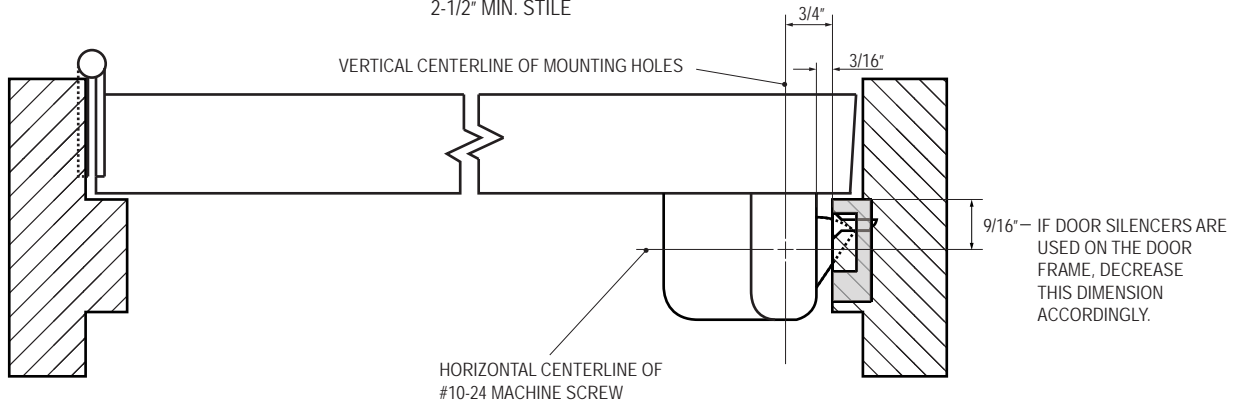
246 UNIVERSAL STRIKE

INTEGRAL STOP APPLICATION



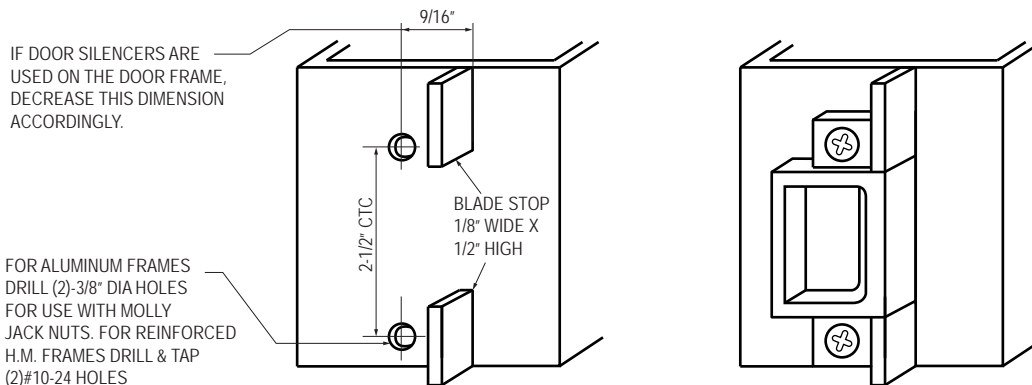
SINGLE DOOR

2-1/2" MIN. STILE



BLADE STOP APPLICATION

1-7/8" MIN. STILE



NOTES: FRACTIONAL TOLERANCE ± 1/64"

SEE METAL DOOR TEMPLATES TO MOUNT EXIT DEVICE.