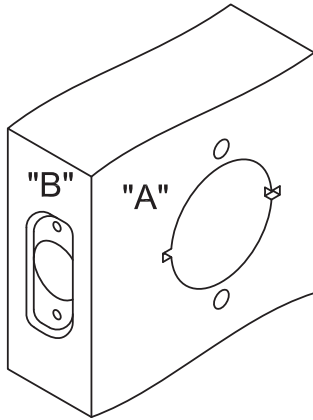
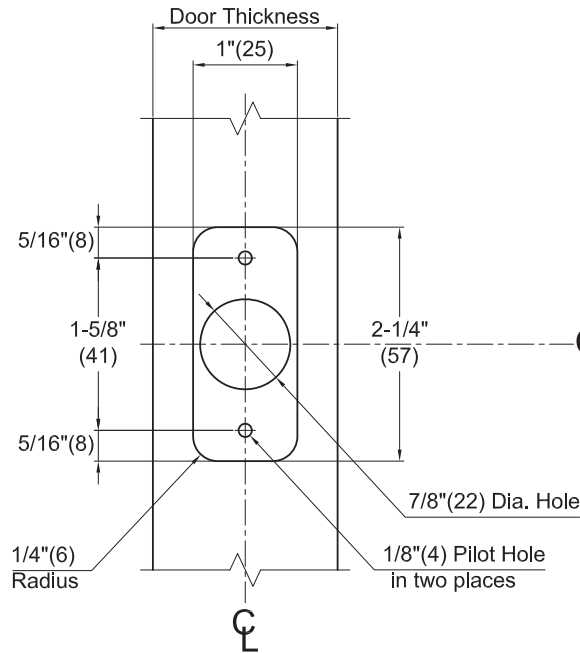
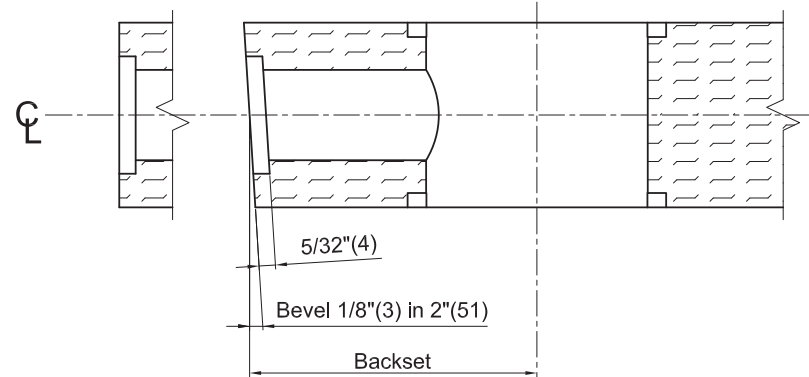


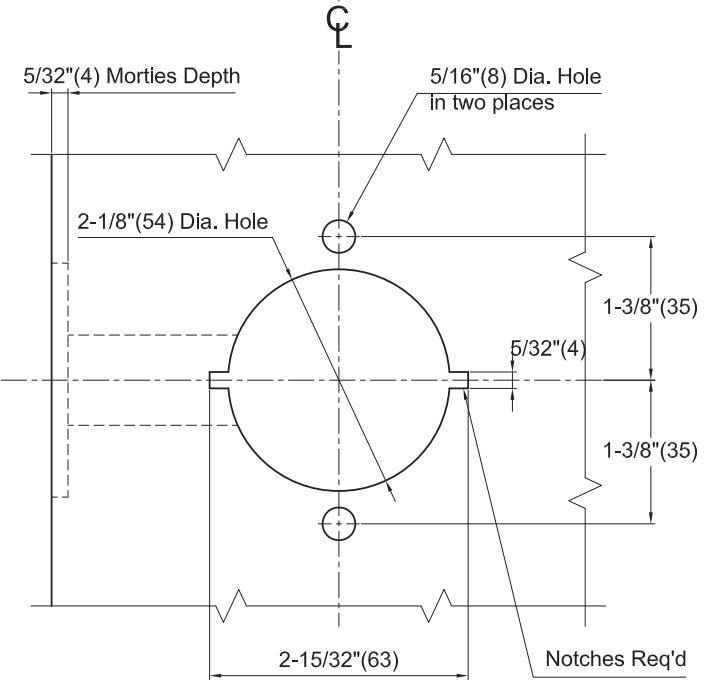
NOT TO SCALE



Flat or Beveled Edge Detail



Door Edge Detail "B"



Door Face Detail "A"

All dimensions are given in inches(mm). Dimensions shown in parentheses () are in millimeters.

Door Type :	Wood or Composite, Flat or Beveled
Door Thickness :	1-3/8"(35mm) ~ 2"(50mm)
Faceplate :	1"(25mm) wide, Round Corner, 1/4"(6mm) Radius
Backsets :	2-3/8"(60mm), 2-3/4"(70mm)

SL, XP-Series
Lever Handle Cylindrical Locks
Wood Door Preparation

CAL-ROYAL
PRODUCTS, INC.
Website: cal-royal.com • Email: sales@cal-royal.com
Template Number