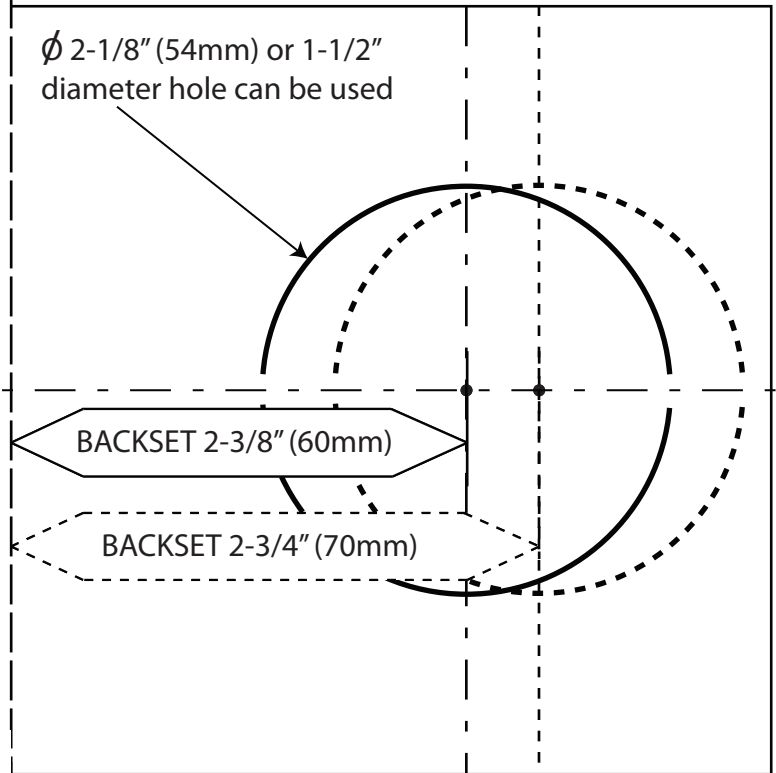
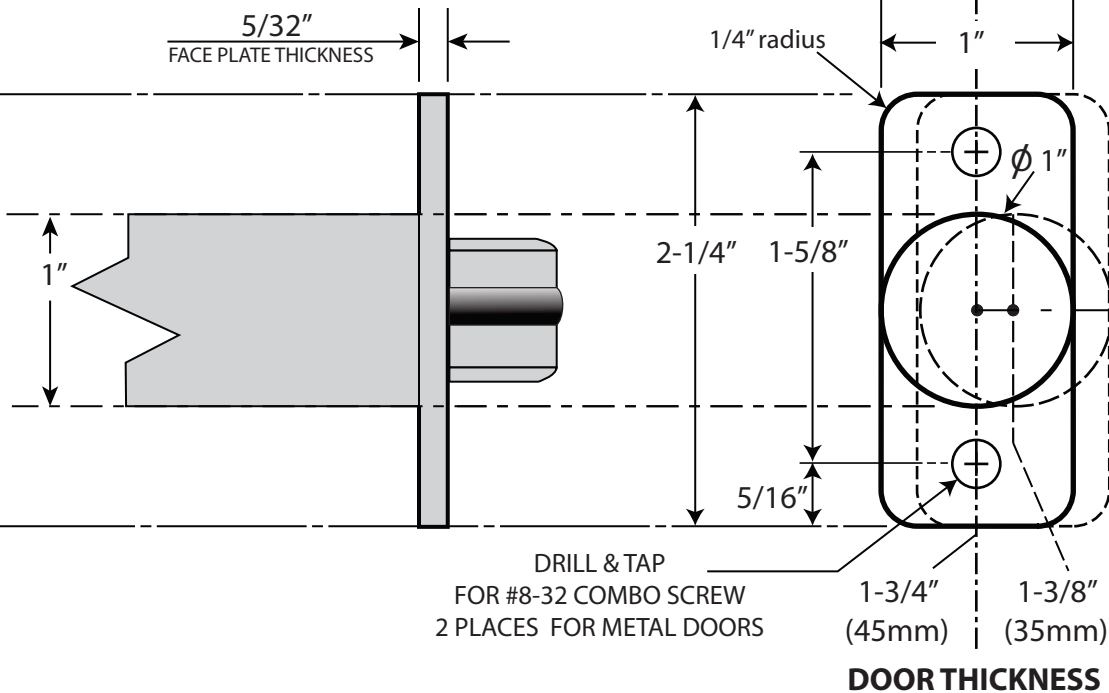
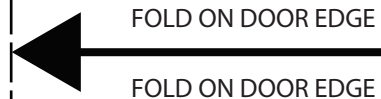


DRILL 1"(25mm) HOLE
AT CENTER OF
DOOR EDGE



1. MARK DOOR

- A. Fold and apply to high edge of door bevel and mark center of door edge as indicated on template at the desired height from the floor.
- B. Mark center hole on door face through guide on template for 2-3/8" (60mm) or 2-3/4" (70mm) backset.

2. DRILL HOLES

- A. Drill thru door face as marked for lockset. It is recommended that holes be drilled from both sides to prevent splitting. Hole size is 2-1/8"(54mm) for standard installations.
 - B. Drill 1"(25mm) hole in center of door edge thru 2-1/8"(54mm) hole for latch.
- CAUTION: Check center of latch hole for alignment with strike center on jamb to ensure free movement of latch bolt.



6605 Flotilla St.
City of Commerce
CA 90040 USA
Tel: (323) 888-6601
FAX: (323) 888-6699
Website: cal-royal.com
Email: sales@cal-royal.com

| ITEM NO. | DESCRIPTION | ANSI | SCALE | UNIT | VERSION |
|---------------|--|---------|-------------|----------------|---------------------|
| REN-00 | CHELSIE SERIES RESIDENTIAL TUBULAR LOCKSET FUNCTIONS: ENTRY | Grade 3 | 1 : 1 | inches (mm) | ver. 1.0 rev. 01/12 |
| | | | PAGE 1 OF 1 | | BY: bteves |