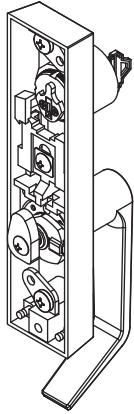


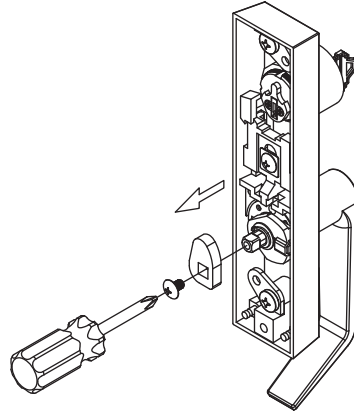


# CAL-ROYAL GLSCVR98 SERIES LEVER TRIM ESCUTCHEON HOW TO CHANGE HANDING OF LEVER RHR

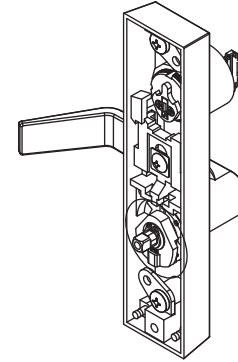
1. Lever trim shipped and supplied with lever positioned neutral, Non-Handed



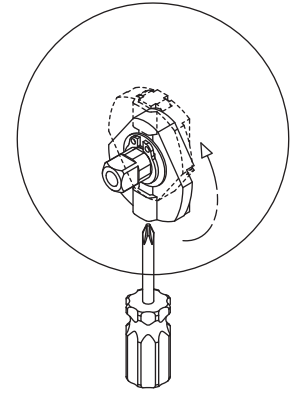
2. Unfasten cam piece.



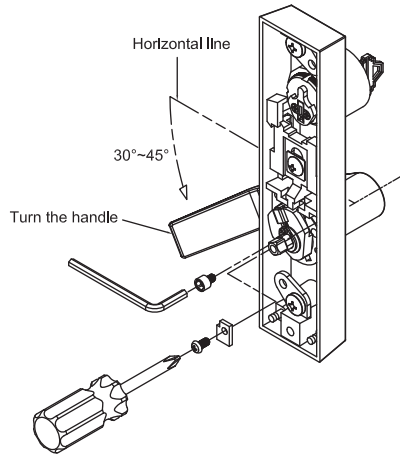
3. Rotate lever to desired hand, RHR position at 90°.



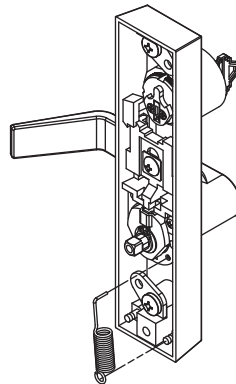
4-1. Depress and push in the spring loaded locking piece in the "UP" position to rotate hub.  
4-2. Make sure spring loaded locking piece clicked in place and is in line with locking side to operate.



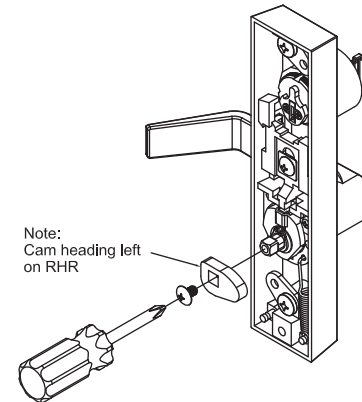
5-1. Fasten stop screw on the other side using hex wrench.  
5-2. Fasten guide stop plate to case at the same side of hub spring.



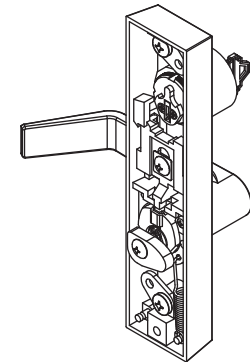
6. Mount the hub spring on the opposite groove pin.



7. Fasten cam piece.



8. Done



Method for replacing cylinder.

1. With locking slide in down position, unscrew cylinder nut and remove the cylinder and ring.

2. Replace cylinder by reversing above procedure. Make sure that cylinder cam points up and correct length of ring is used.