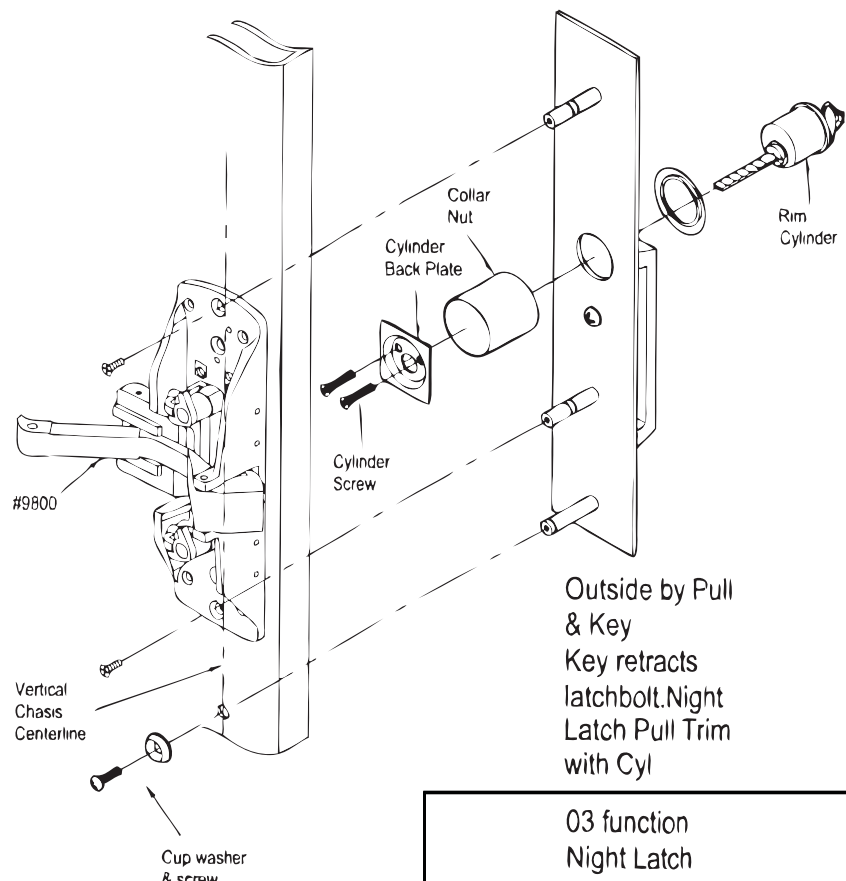




# INSTALLATION INSTRUCTIONS FOR **CAL-ROYAL** OUTSIDE PULL TRIM For 9800/9860V Series Rim & Vertical Rod Exit Device



| 9800NL  | 9800DTP  | 9800EOP   |
|---|--|---|
| <p>Outside by Pull &amp; Key<br/>Key retracts latchbolt. Night Latch Pull Trim with Cyl</p>   | <p>Outside by Pull only<br/>Pull when dogged</p>   | <p>Outside by<br/>Cover Plate only</p>  |
| <p>03 function<br/>Night Latch</p>  | <p>02 function<br/>Pull</p>  | <p>10 Function<br/>Cover Plate</p>  |
| <p>ATTACH COLLAR, BACKPLATE AND RIM CYLINDER TO THE TRIM PLATE WITH THE (2) CYLINDER SCREWS<br/>ATTACH TO DOOR THRU BOLTING THE (2) SCREWS TO THE CHASSIS &amp; (1) CUP WASHER &amp; SCREW AT THE BOTTOM TO THE DOOR<br/>Covers 161 cut out</p> | <p>ATTACH TRIM TO DOOR THRU BOLTING THE (2) SCREWS TO THE CHASSIS &amp; (1) CUP WASHER AND SCREWS AT THE BOTTOM TO THE DOOR<br/>Covers 161 cut out</p> | <p>ATTACH PLATE TO DOOR THRU BOLTING THE (2) SCREWS TO THE CHASSIS<br/>COVERS 161 CUT OUT</p> |