

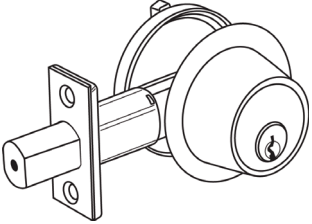
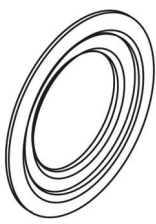
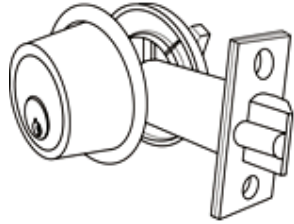
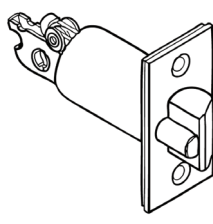
CB160 Series List Price

STANDARD DUTY DEADBOLTS,
 ANSI STANDARD - A156.5, GRADE 2

COMMERCIAL / RESIDENTIAL GR 2 DEADBOLTS / DEAD LATCHES

Grade 2 Specifications, Equivalent to Schlage B160 - Series Deadbolts

**LIFETIME
 WARRANTY**

| | | | |
|---|---|--|---|
|  |  |  |  |
| CB160 | ADP160 | GL160 | GL238 (2 3/8") GL234 (2 3/4") |

STOCK ITEM PRICES IN BOLD
 NON-STOCK FINISHES AND DESIGNS AVAILABLE WITH FACTORY LEAD TIME
 AND SUBJECT TO MINIMUM ORDER

| DESCRIPTION | ANSI | ITEM # | FINISH | PCS / MC |
|--|-------|---------------------------------|--|----------|
| Standard Duty Single Cylinder Deadbolt | E0152 | CB160 | US3, 26D, 10, 10B, 26, 4, 5, 15 | 36 |
| Standard Duty Double Cylinder Deadbolt | E0142 | CB162 | | |
| Single Cylinder Gate Latch | E0152 | GL160 (2 3/8" backset) | | |
| Double Cylinder Gate Latch | E0142 | GL162 (2 3/8" backset) | | |
| Single Cylinder GateLatch | E0152 | GL160 / 234 (2 3/4" backset) | | |
| Double Cylinder Gate Latch | E0142 | GL162234 (2 3/4" backset) | | |

► **PACKAGING INCLUDES**

- 2 1/2" Diameter Adapter Ring for 2 1/8" Door Preparations
- Standard "C" 6-pin cylinder
- Adjustable 2 3/4" and 2 3/8" backset
- For gate latches Fixed 2 3/4" and 2 3/8" latch bolt
- Latch: Backset latch size 1" x 2 1/4" faceplate, packed with latch front adapter to convert 1" face plate for 1 1/8" wide door preparations
- Strike: 1 1/8" x 2 3/4"

► **KEYWAYS**

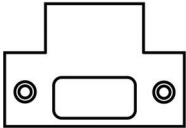
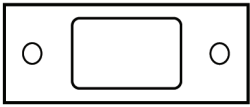
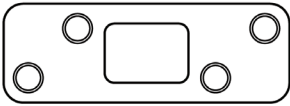
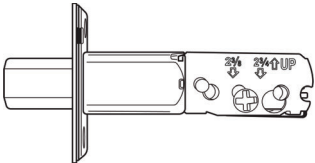
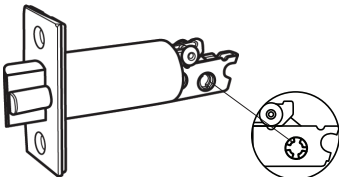
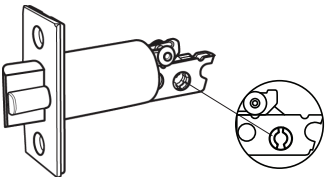

6-pin solid brass "C" keyway standard. Optional: Schlage E, Schlage C-K, Russwin D1-2-3-4, Corbin 59 / 60, Corbin-Russwin L4, Sargent LA-LB-LC, Falcon / Weiser E, Arrow A, Yale 8, Yale GA and Kwikset. Can also accept Medeco, Assa, Kaba and **Cal-Royal HSK** High Security Cylinders. See **page L119** for keying charges and Cylinder PART #.

► **KEYING CHARGES**

Refer to page L119.

► **ADDITIONAL PARTS & CHARGES FOR CB160 SERIES**

Backsets: 2 3/8", **NO EXTRA CHARGE** if ordered with lock only. Otherwise \$13.25 List Each.

| ◆◆◆ STANDARD DISCOUNT ONLY ◆◆◆ | | | |
|---|----------|---|------------------------------|
| ILLUSTRATION | ITEM # | DESCRIPTION | FINISH |
|  | TS | T-Strike | US10, 10B, 15, 26, 26D, 3, 4 |
|  | T2STRK | Deadbolt Strike 1 1/8" X 2 3/4" | US10B, 15, 26D, 3 |
|  | SS114358 | Deadbolt Security Strike 1 1/4" x 3 5/8", 1/4" Rad. | US10B, 15, 26D, 3, 5 |
|  | ADJ | 2 3/8"- 2 3/4" Adjustable Latch bolt for CB160 | US10B, 26D, 3 |
|  | GL238 | 2 3/8" backset gate latch and for double cylinder deadbolt | |
| | GL234 | 2 3/4" backset gate latch and for double cylinder deadbolt | |
|  | SINGL238 | 2 3/8" backset gate latch and for single cylinder deadbolt | |
| | SINGL234 | 2 3/4" backset gate latch and for single cylinder deadbolt | |
|  | ADP160 | Adapter Ring | US10B, 15, 26, 26D, 3, 4, 5 |