

PRIVACY DOOR LATCH HPDL258

The Cal-Royal Hotel Privacy Door Latch (HPDL) is recommended for use in environments with corridor to room openings such as hotels, dormitories, apartments and even private residences. The latch would allow the door to be partially opened for identification while providing privacy and security for the resident. The HPDL in the open position, cannot be used to hold the door open. The silicone pads provides additional protection for the door and act as silencers when the latch is closed forcefully.

The HPDL is UL Classified as a fire door accessory. It also meets the requirements of NFPA [NFPA 80 5.2.13.3 and NFPA 80 5.2.4.2(9)] that requires auxillary hardware to not interfere or prohibit the proper operation of fire doors, and that doors are not blocked or wedged in the open position. It is also ADA Compliant.

Rivet nuts and matching screws are included for a more secure and rigid installation option (rivet nut tool not included).

Features

- UL Listed
- Simple to operate
- Easy to install
- Optional Rivnut Installation

Specifications

- **Material:** Zinc Die Cast
- **Height:** 2-1/8"
- **Width (Base):** 1-1/2"
- **Weight:** 0.65 lbs/unit
- **Opening Angle:** 87°
- **Fasteners (Standard):** #12-24 x 1/2" MS, 2" w/ no.12 head WS;
(Rivet Nut): #12-24 x 3/4" MS.

Finish

- US26D - Satin Chrome
- US26 - Bright Chrome
- US3 - Bright Brass
- US4 - Satin Brass
- US10B - Oil Rubbed Bronze

Certifications

- Meets NFPA 80 5.2.13.3
- Meets NFPA 80 5.2.4.2(9)
- ADA Compliant



OPEN POSITION

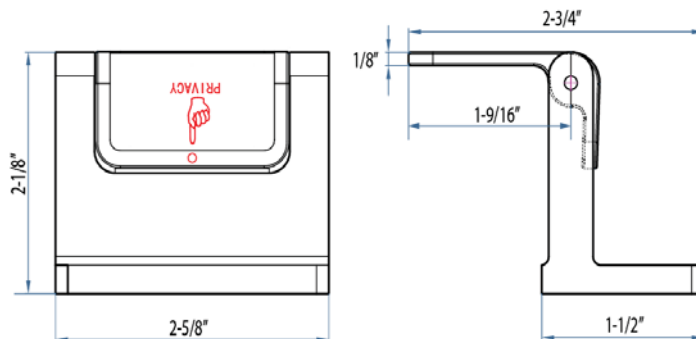
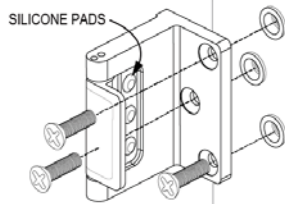
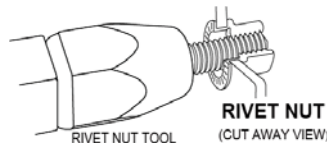


CLOSE POSITION



SILICONE PADS

OPTIONAL RIVNUT INSTALLATION



CAL-ROYAL PRODUCTS, INC.

6605 Flotilla St., City of Commerce, CA 90040 U.S.A.
Phone: (323) 888-6601 • (800) 876-9258 • Fax: (323) 888-6699 • (800) 222-3316
Email: sales@cal-royal.com • Website: www.cal-royal.com

The illustration and technical description in this cut sheet is current as of the date in the version date on the right. Cal-Royal Product reserves the right to, and may, on occasions, make changes and/or improvements in designs and dimensions without prior notice.

VERSION
2015.1.0