

## CRP150N STAINLESS STEEL FLUSH CUP PULL

### Features

- Easy Installation
- Packed with four (4) #6 x 5/8" OPHWS Screws

### Dimensions

- Face: 3 1/2" x 5"
- Projection: 1/8"
- Cup Clearance: 7/8"
- Opening: 1 3/4" x 3 1/16"

### Applications

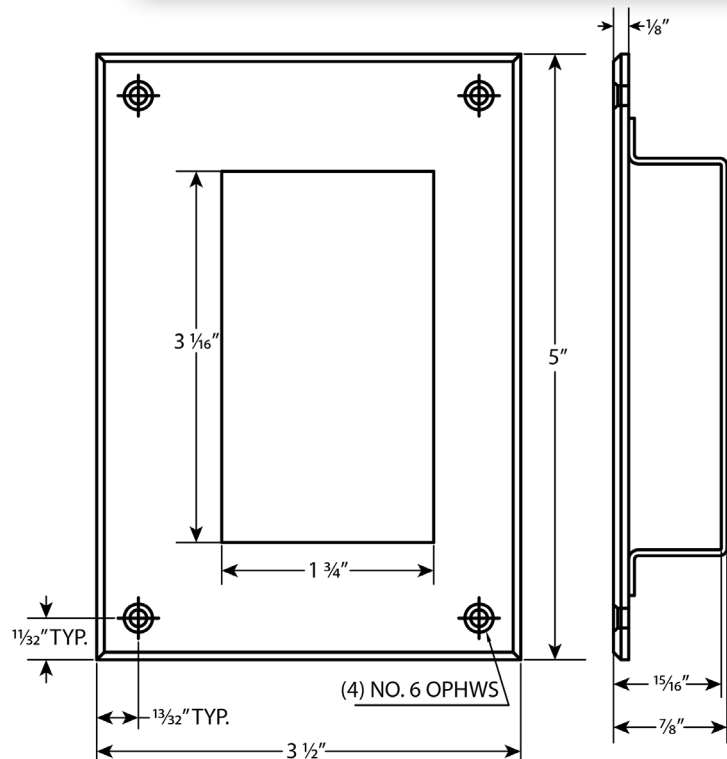
- Used in sliding doors, cabinet doors, and pocket doors.

### Finishes

- US32D - Satin Stainless Steel
- US10B - Oil Rubbed Bronze

### Code Compliance

- Meets ANSI A156.6 for J403 Pulls



### CAL-ROYAL PRODUCTS, INC.

6605 Flotilla St., City of Commerce, CA 90040 U.S.A.  
 Phone: (323) 888-6601 • (800) 876-9258 • Fax: (323) 888-6699 • (800) 222-3316  
 Email: sales@cal-royal.com • Website: www.cal-royal.com

The illustration and technical description in this cut sheet is current as of the date in the version date on the right. Cal-Royal Product reserves the right to, and may, on occasions, make changes and/or improvements in designs and dimensions without prior notice.

2018 01  
VERSION NO. 1  
YEAR PRINTED

© Cal-Royal Products, Inc. 2018