

ZWDB-10

**TOUCH SCREEN ELECTRONIC DEADBOLT,
MEETS ANSI GRADE 3 STANDARDS**



- BUILT-IN Z-WAVE TECHNOLOGY TO CONNECT TO A Z-WAVE COMPATIBLE CONTROLLER WITH GATEWAY FREQUENCY OF 908.4 MHz
- ELECTRONIC LOCK WITH KEYLESS ACCESS
- 1 ADMINISTRATOR CODE, 4-10 DIGITS
- 30 SETS OF USER CODE, 4-10 DIGITS
- DIGITAL TOUCH SCREEN
- RANDOM PRE-ENTRY CODE TO PREVENT CODE DECIPHERING
- SERVICE CODE FOR TEMPORARY ACCESS
- ADD / DELETE USER'S CODE INDIVIDUALLY
- AUTO-LOCKING FUNCTION
- FITS REGULAR DOOR PREPARATION
- POWER EFFICIENT DESIGN AND LOW BATTERY ALARM
- 1 YEAR ELECTRONIC WARRANTY
- EMERGENCY KEY OVERRIDE
- USER FRIENDLY DESIGN
- EASY INSTALLATION & PROGRAMMING
- NON-HANDED



**DIGITAL
TOUCH SCREEN**



INTERIOR

SPECIFICATIONS

APPLICATIONS

For Residential and Standard Duty Commercial Applications

DOOR RANGES

1 3/8" (35mm) to 1 3/4" (45mm) Thickness

MATERIAL

Zinc Alloy and Steel

BACKSET

2 3/8" (60mm) or 2 3/4" (70mm) 2-Way Adjustable Backset

LATCH FACEPLATE

1" (25.4mm) x 2 1/4" (57mm) Square Corner

STRIKE

1" (25.4mm) x 2 1/4" (57mm) Square Corner Strike

DEADBOLT

1" Throw High-Strength Deadbolt with Anti-Saw Pin

POWER SUPPLY

4 AA 1.5V Alkaline Batteries (comes standard in packing)

DOOR PREPARATION

1" (25.4mm) Diameter for Edge Bore

2 1/8" (54mm) Cross Bore

DIMENSIONS

Exterior Trim: 5 1/4" (133mm) x 2 5/8" (67mm) x 11/16" (23mm)

Interior Trim: 7 7/16" (189mm) x 2 7/8" (73mm) x 1 1/8" (28mm)

CYLINDER & KEYWAYS

5-Pin, Kwikset KW1 Keyway.

FINISHES

US3 - Bright Brass

US15 - Satin Nickel

US26 - Bright Chrome

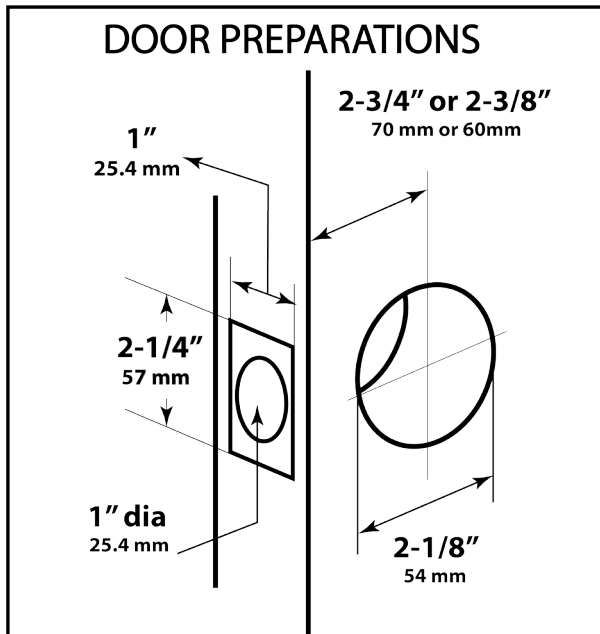
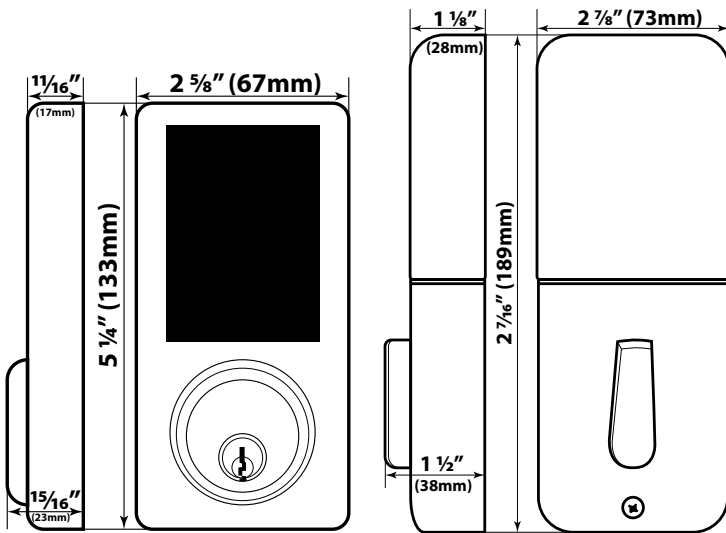
US26D - Satin Chrome

US12P - Tuscany Bronze



FINISHES AVAILABLE		
BHMA SYMBOL	US CODE	DESCRIPTION
605	US3	Bright Brass
619	US15	Satin Nickel
625	US26	Bright Chrome
626	US26D	Satin Chrome
---	US12P	Tuscany Bronze

Refer to price list for stock finishes and functions



• FEATURES

- **Administrator Code** – 1 group administrator password, 4-10 digits. It is used for managing all codes. Add / delete user's code individually.
- **User Codes** – this feature only opens the lock by entering the code on the touchpad. It can accommodate up to 30 sets of passcode, 4-10 digits.
- **Pre-Entry Codes** – random pre-entry code prevents deciphering of user code. It is also useful to remove remaining fingerprint smudges and prevent exposure of password.
- **Disposable Code** – one-time user code is available for temporary access.
- **Touch screen panel** – this feature helps ease of operating in the dark. It is useful in making sure that every key pressed is successfully entered by an accompanying beep / tone.
- **Auto-Locking Function** – when the door is unlocked, it automatically locks within just a few seconds for security and convenience.
- **Low Battery Warning** – when voltage is lower than safety power, the low battery indicator will turn on until the low battery alarm goes off, then you have to change the batteries.
- **User Friendly Design** – simplifies your access management.
- **Z-Wave Technology** – it has a built-in 500 Series Z-WAVE module to connect with compatible controller / hub with gateway frequency of 908.4 MHz. By using an existing controller, you could use app and / or mobile phone to manage all compatible devices such as control lights, security systems, and home automation in one tap.
- **High-Strength Deadbolt** – 1" throw high-strength deadbolt with anti-saw pin.
- **Deadbolt Detection** – touchpad deadbolt with auto latch bolt locking detection prevents any incomplete door locking.
- **Non-Handed** – ZWDB-10 Series can be installed for both left and right door opening.

TECHNICAL SPECS	
Operating Voltage	DC6V, 4x AA (1.5V, LR6) Alkaline
Operating Temperature	0°C to 70°C (Battery Excluded)
Operating Humidity	30% to 90% Relative Humidity; Non-Condensing
User ID Capacity	4-10 Digits 1 Admin Password 30 Sets of User Code