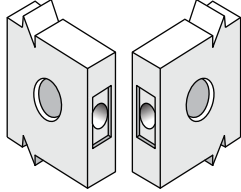
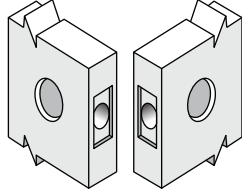


LEFT HANDED DOORS  
OUTSIDE INSIDE

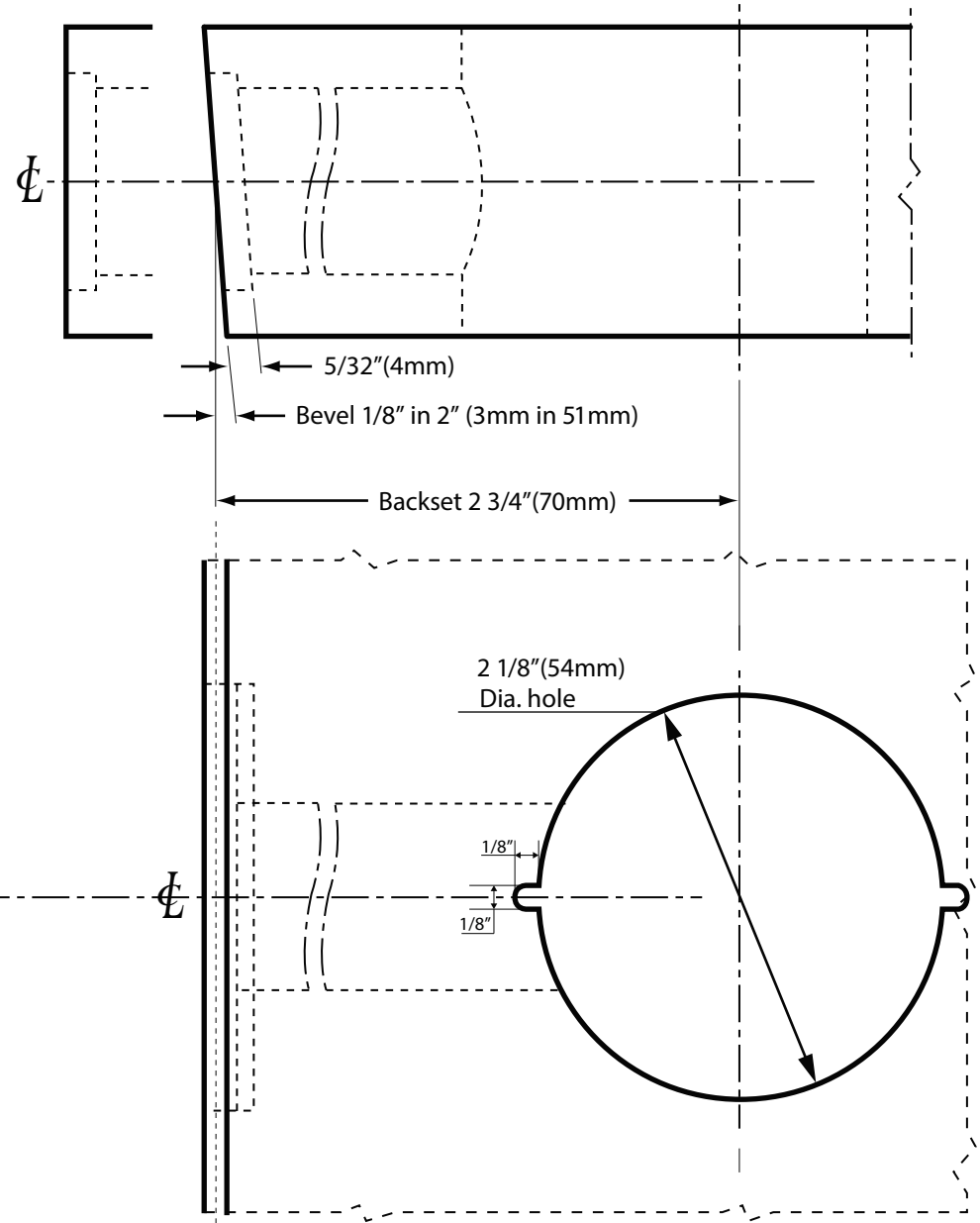
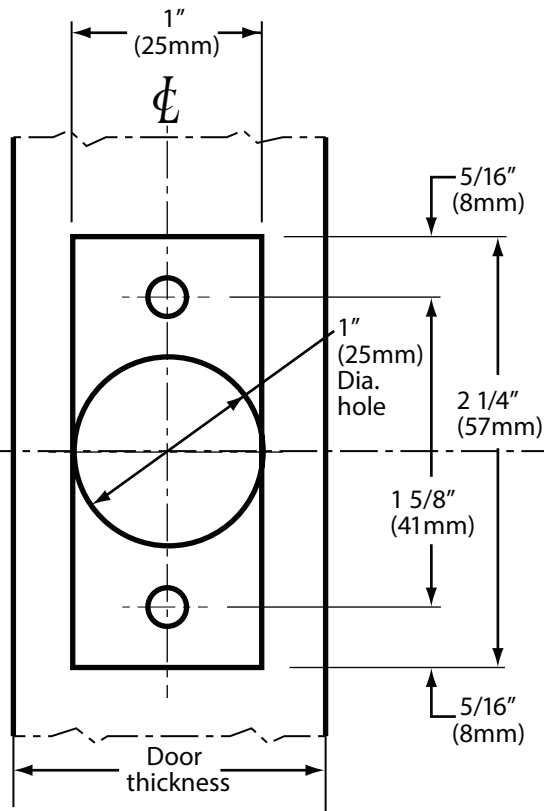


RIGHT HANDED DOORS  
INSIDE OUTSIDE



**Standard Packaging:**  
Latchbolt: 2-3/4"  
Face plate: 1" x 2-1/4"

Standard 2-3/4" Latch



6605 Flotilla St.  
City of Commerce  
CA 90040 USA  
Tel: (323) 888-6601  
FAX: (323) 888-6699  
Website: cal-royal.com  
Email: sales@cal-royal.com

ITEM NO.	DESCRIPTION	ANSI	SCALE	UNIT	VERSION
<b>XPRL50</b>	EXPLORER SERIES EXIT LOCK	A156.2 Grade 2	1 : 1 IF PRINTED TO SIZE	inches (mm)	ver. 1.0 rev. 11/14
			PAGE 1 OF 1		<b>BY:</b> adg