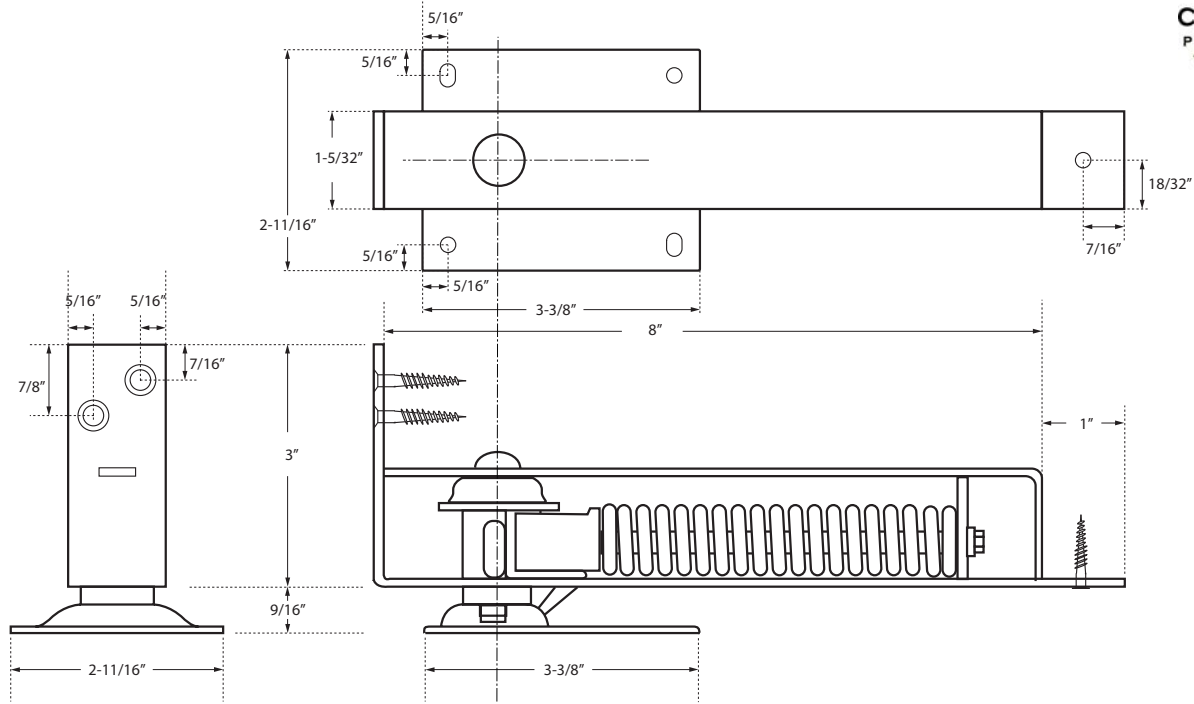


DAFH8 - Double Acting Residential Floor Spring Hinge



INSTALLATION FOR 1-3/8" DOORS

1. Trim door to fit opening, 11/16" (17mm) less than height, 1/4" (6mm) less than width.
2. Round off hinge stile of door to 1-1/2" (38mm) radius.
3. Cut mortise for hinge full thickness of door as shown.
4. Center spring on door and screw it in place, attaching end plate with it.
5. Install top pivot to head jamb and top socket to door as shown.
6. Tilt door to engage pivots, align door, wedge in place and screw floor plate to floor. (Slotted holes in plate permit adjustments).
7. Slip tab end of side cover under end plate and screw side cover to door.

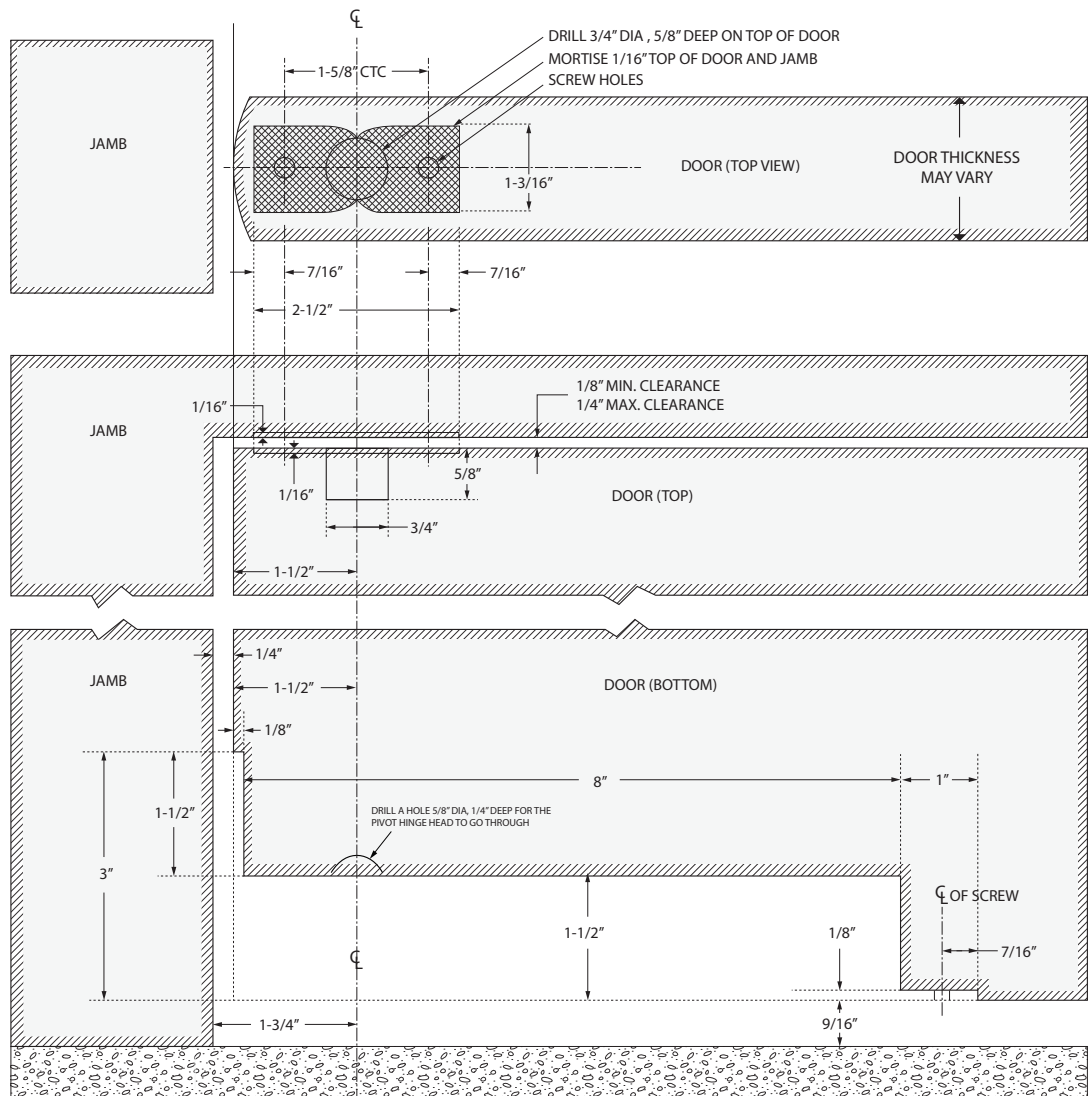


ILLUSTRATION: NOT TO SCALE