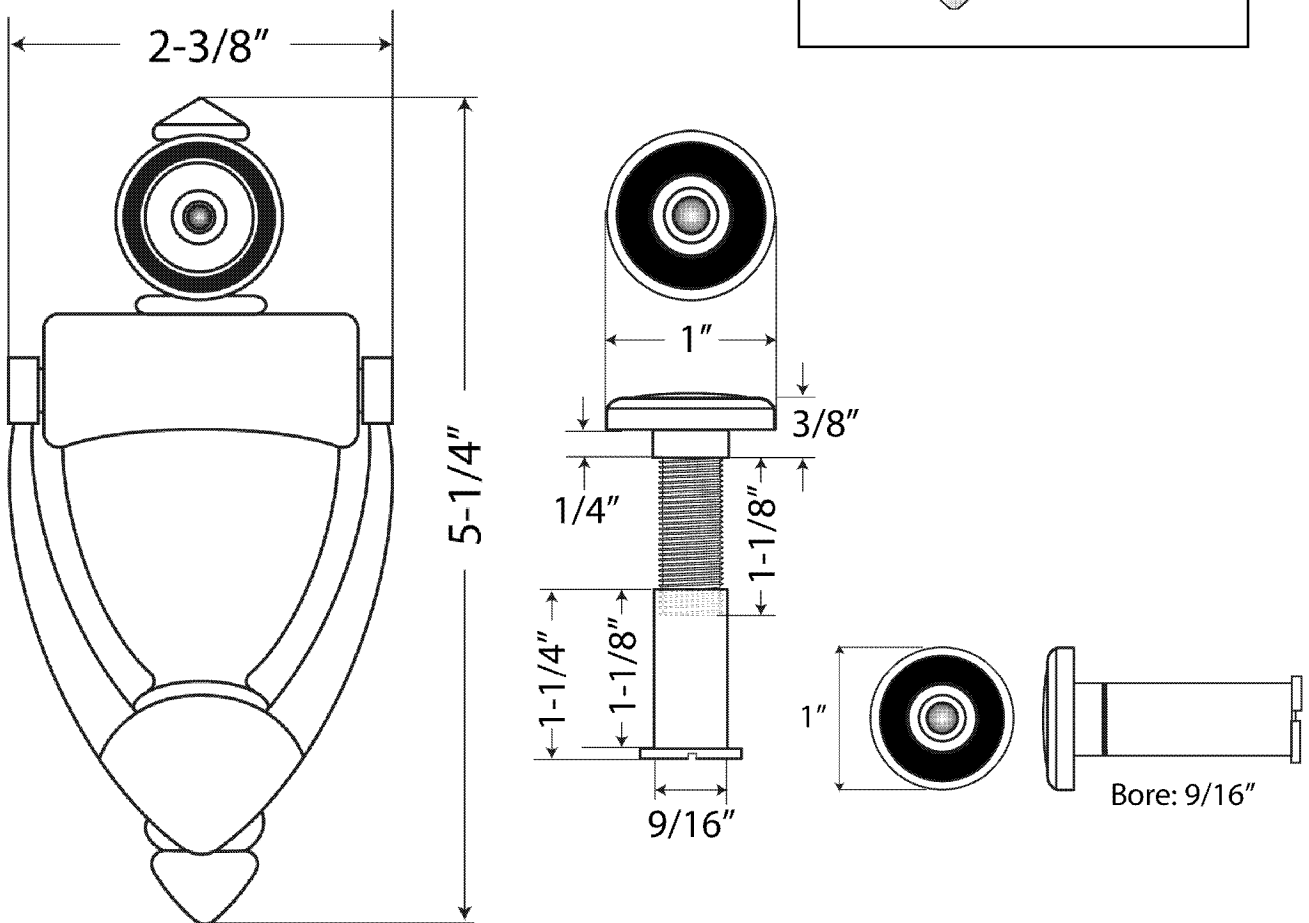
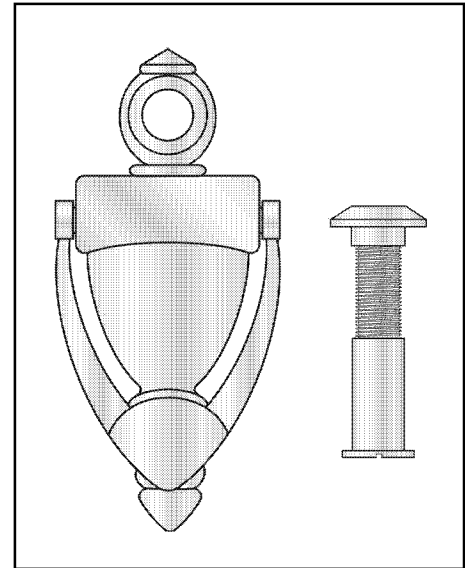


Door Knocker with 180° Door Viewer

- ⦿ 9/16" Bore
- ⦿ Size: 2-3/8" x 5-1/4"
- ⦿ Individually poly-bagged
- ⦿ Packed with screws
- ⦿ Conforms to ANSI/BHMA A156.16 L23151
- ⦿ For Doors 1-3/8" to 1-3/4" Thick
- ⦿ Die cast material
- ⦿ Architectural finishes available



Cal-Royal Products, Inc.

6605 Flotilla St., City of Commerce, CA 90040 U.S.A.

Phone: (323) 888-6601 • (800) 876-9258 • Fax: (323) 888-6699 • (800) 222-3316

Email: sales@cal-royal.com • Website: www.cal-royal.com



The illustration and technical description in this Specification Sheet is current as of the date in the version box above. Cal-Royal Product reserves the right to, and may frequently make changes and/or improvements in designs and dimensions.