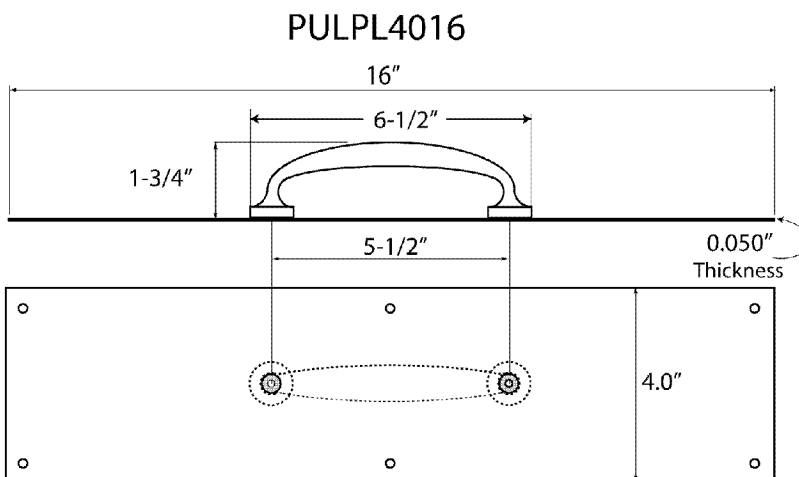
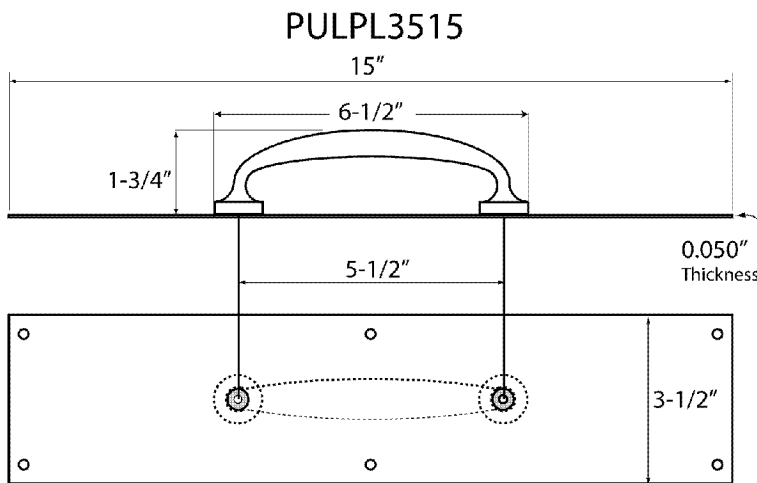
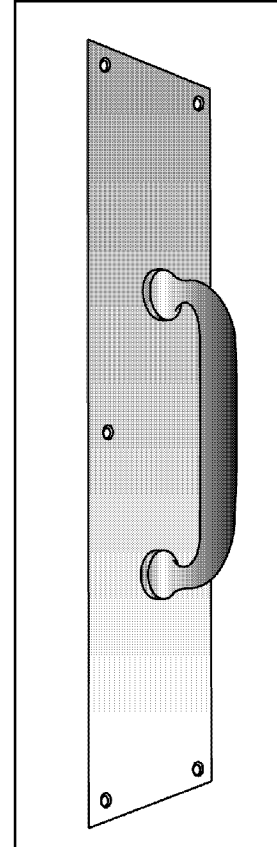


PULPL3515 / PULPL4016

Pull Plate Size 0.050" x 3 -1/2" x 15" (PULPL3515)
0.050" x 4" x 16" (PULPL4016)

- ⊙ Individually boxed with 6-1/2" Solid Brass Handle, fasteners and washers
- ⊙ One piece mounted
- ⊙ Easy installation
- ⊙ Conforms to ANSI/BHMA A156.6
- ⊙ Architectural finishes available



PULL PLATE 4.0" X 16"

Cal-Royal Products, Inc.

6605 Flotilla St., City of Commerce, CA 90040 U.S.A.

Phone: (323) 888-6601 • (800) 876-9258 • Fax: (323) 888-6699 • (800) 222-3316

Email: sales@cal-royal.com • Website: www.cal-royal.com



The illustration and technical description in this Specification Sheet is current as of the date in the version box above. Cal-Royal Product reserves the right to, and may frequently make changes and/or improvements in designs and dimensions.