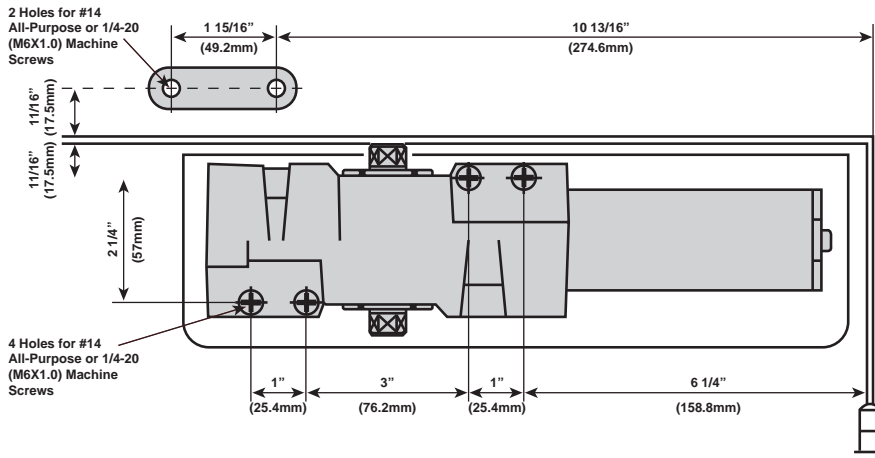
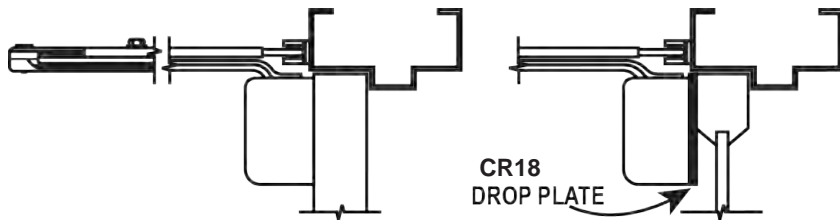


CR441 SERIES : REGULAR ARM INSTALLATION (PULL SIDE)

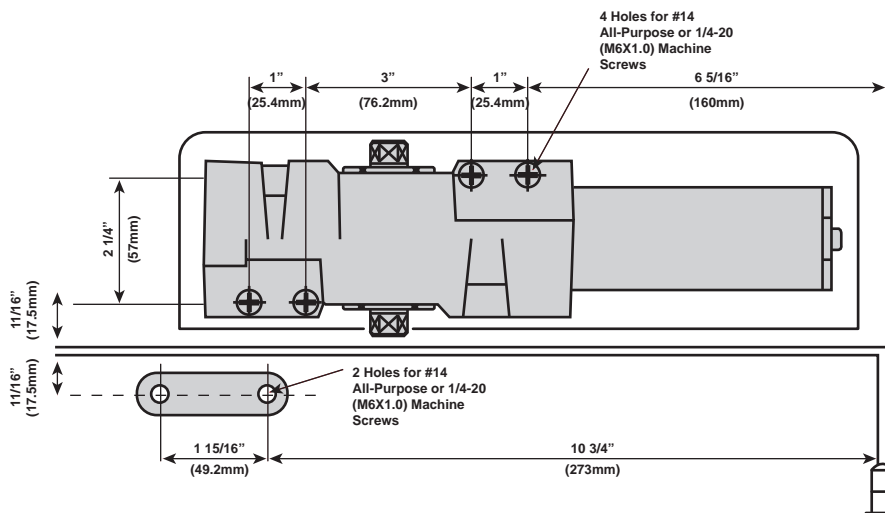


- Butt Hinges should not exceed 5" (127mm) in width.
- **Auxiliary Stop** is recommended at hold-open point or where a door cannot swing beyond 120°
- Reveal should not exceed 3/4" (19mm) for regular arm or hold-open arm.
- **Top Rail** less than 3 3/4" (19mm) requires PLATE, CR18. Plate requires 2" (51mm) minimum.
- Clearance of 2 3/8" (60mm) behind door required for 90° installation.
- **Delayed Action** - Delays closing from 120° to 70°. Delay time adjustable up to approximately 1 minute.
- See **Optional Installation** for ARMS and BRACKETS available on the next page.

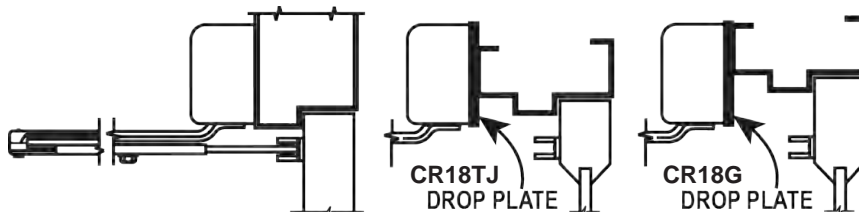


- RIGHT HAND DOOR SHOWN
- SURFACE MOUNTED
- ADJUSTABLE AND PRE-SET BACKSET
- NON-HOLD OPEN / HOLD OPEN

CR441 SERIES : TOP JAMB INSTALLATION (PUSH SIDE)

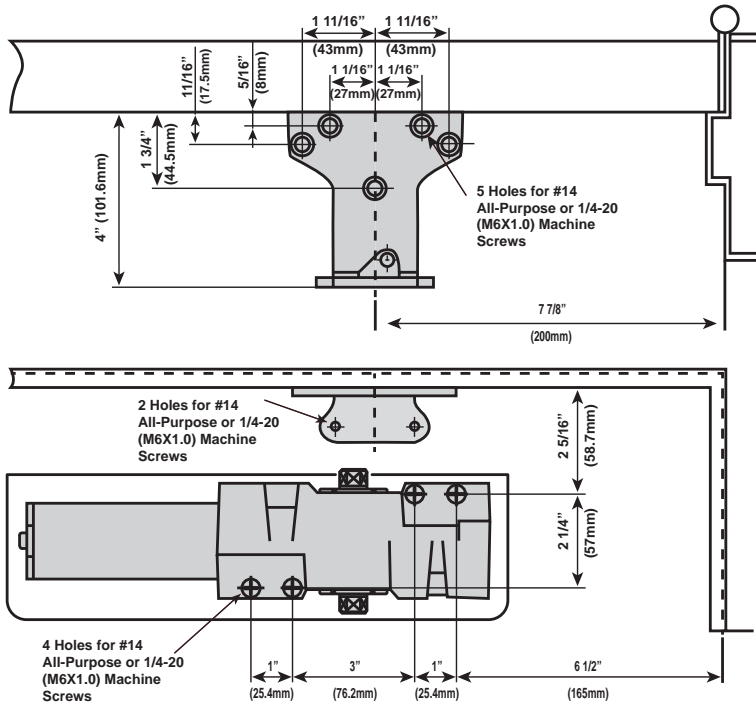


- Butt Hinges should not exceed 5" (127mm) in width.
- **Auxiliary Stop** is recommended at hold-open point or where a door cannot swing beyond 120°
- Reveal of 2 9/16" (65mm) allows 120° opening for regular or standard hold-open arm. 8" (203mm) allows up to 120° opening with CR441EXT.
- **Top Rail** requires 1 1/4" (32mm) minimum. 2 1/4" (57mm) minimum with closer on PLATE, CR18TJ. 3" (76mm) minimum with closer on PLATE, CR18G.
- **Head Frame** less than 3 1/2" (89mm) requires PLATE, CR18TJ. With flush ceiling, use PLATE, CR18G. Either plate requires 1 3/4" (44mm) minimum.
- **Delayed Action** - Delays closing from 120° to 70°. Delay time adjustable up to approximately 1 minute.
- See **Optional Installation** for ARMS and BRACKETS available on the next page.



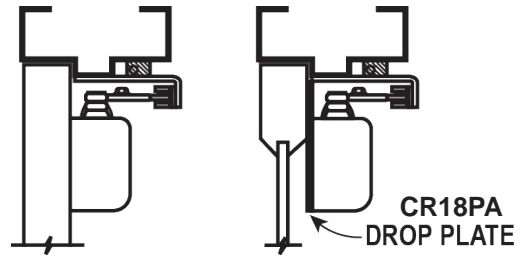
- LEFT HAND DOOR SHOWN
- SURFACE MOUNTED
- ADJUSTABLE AND PRE-SET BACKSET
- NON-HOLD OPEN / HOLD OPEN

CR441 SERIES : PARALLEL ARM INSTALLATION (PUSH SIDE)



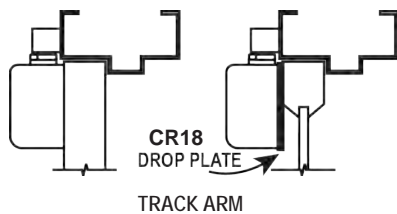
- RIGHT HAND DOOR SHOWN
- SURFACE MOUNTED
- ADJUSTABLE AND PRE-SET BACKSET
- NON-HOLD OPEN / HOLD OPEN

- Butt Hinges should not exceed 5" (127mm) in width.
- Auxiliary Stop is recommended at hold-open point or where a door cannot swing beyond 180°, or where CR3077SPAS arm is not used.
- Top Rail less than 5 3/8" (137mm) measured from the stop requires PLATE, CR18PA. Plate requires 2" (51mm) minimum from the stop.
- Stop Width minimum 1" (25mm). CUSH arm requires minimum 1 1/2" (38mm).
- Delayed Action - Delays closing from 120° to 70°. Delay time adjustable up to approximately 1 minute.
- See **Optional Installation** for ARMS and BRACKETS available on the next page.

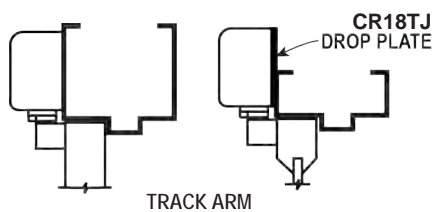


CR441 SERIES : OPTIONAL INSTALLATION

REGULAR ARM (PULL SIDE)



TOP JAMB (PUSH SIDE)



MAXIMUM OPENING: 180° (Standard), 120° (Hold Open)

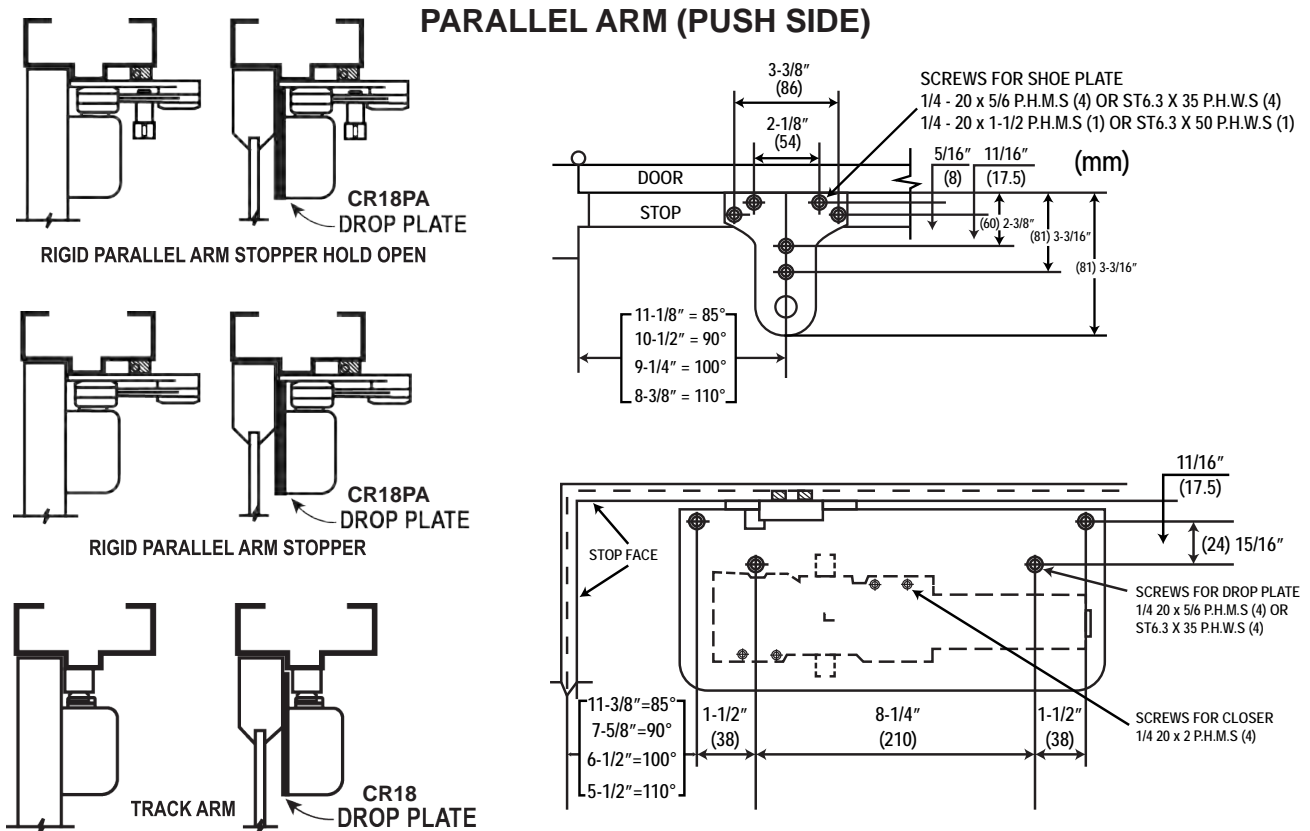
OPTIONAL INSTALLATION

ARMS

- CR3049HO - Non-Handed Hold Open Arm with Parallel Bracket
- CR441ARM - Door Closer Arm (Main and Regular Forearm)
- CR441EXT - Extended Long Arm (3" extension) for Top Jamb with reveals
- TRACK441 - Slide Track Arm with Hold-Open

- CR18PA - Drop Plate for Parallel Arm Mounting Top Rail is less than 5 1/2" Measured from Stop. Plate Requires 2" Minimum Top Rail
- CR18 - Drop Plate used where Top Rail is less than 3 3/4"
- CR18TJ - Drop Plate for Top Jamb where Face is less than 3 1/2"
- CR18G - Drop Plate for Top Jamb Mounted Closer Flush with Top of Head Frame Face in Flush Ceiling Condition. Plate Requires 1 3/4" Minimum Head Frame

CR441 SERIES : OPTIONAL INSTALLATION



MAXIMUM OPENING: 180° (Standard), 120° (Hold Open)

OPTIONAL INSTALLATION ARMS

- CR3049HO - Non-Handed Hold Open Arm with Parallel Bracket
- CR441ARM - Door Closer Arm (Main and Regular Forearm)
- CR441EXT - Extended Long Arm (3" Extension) for Top Jamb with Reveals
- TRACK441 - Slide Track Arm with Hold-Open
- CR3049HOSPRING - Super Rigid Parallel Arm Stopper Hold-Open, Non-Handed with Spring Loaded Stop in Soffit Shoe
- CR3077SPRING - Super Rigid Non-Handed Parallel Arm with Spring Loaded Stop in the Soffit Shoe
- CR3049HOSRPS - Super Rigid Parallel Arm Stopper Hold-Open, Non-Handed with Stop in Soffit Shoe
- CR3049SPAS - Super Rigid Parallel Arm Stopper, Non-Handed with Stop in Soffit Shoe
- CR3077HDAR - Non-Handed Parallel Arm Features Forged, Solid Steel Main and Forearm for Potentially Abusive Installations

BRACKETS

- CR18PA - Drop Plate for Parallel Arm Mounting Top Rail is less than 5 1/2" Measured from Stop. Plate Requires 2" Minimum Top Rail
- CR18 - Drop Plate Used Where Top Rail is less than 3 3/4"
- CR18TJ - Drop Plate for Top Jamb where Face is less than 3 1/2"
- CR18G - Drop Plate for Top Jamb Mounted Closer Flush with Top of Head Frame Face in Flush Ceiling Condition. Plate Requires 1 3/4" Minimum Head Frame
- CR441PA - Parallel Arm Bracket