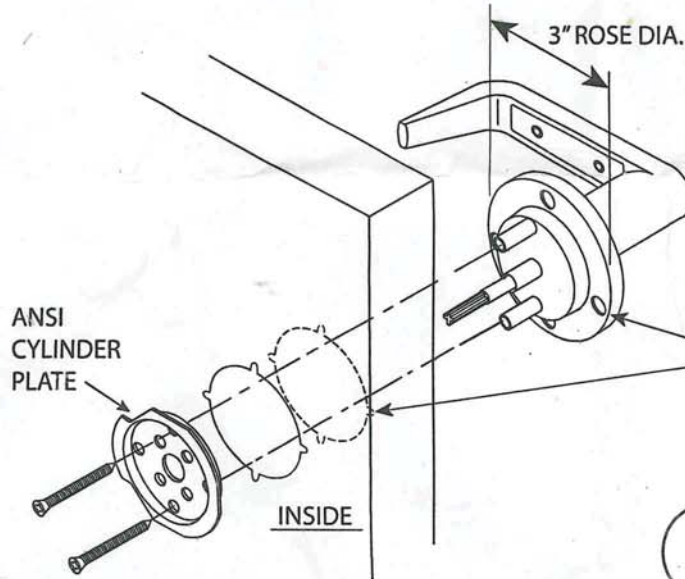




INSTALLATION INSTRUCTIONS FOR PANIC EXIT DEVICE TRIM ON DOORS WITH CYLINDRICAL LOCK CUT-OUT



**NOTE:
IMPORTANT!**

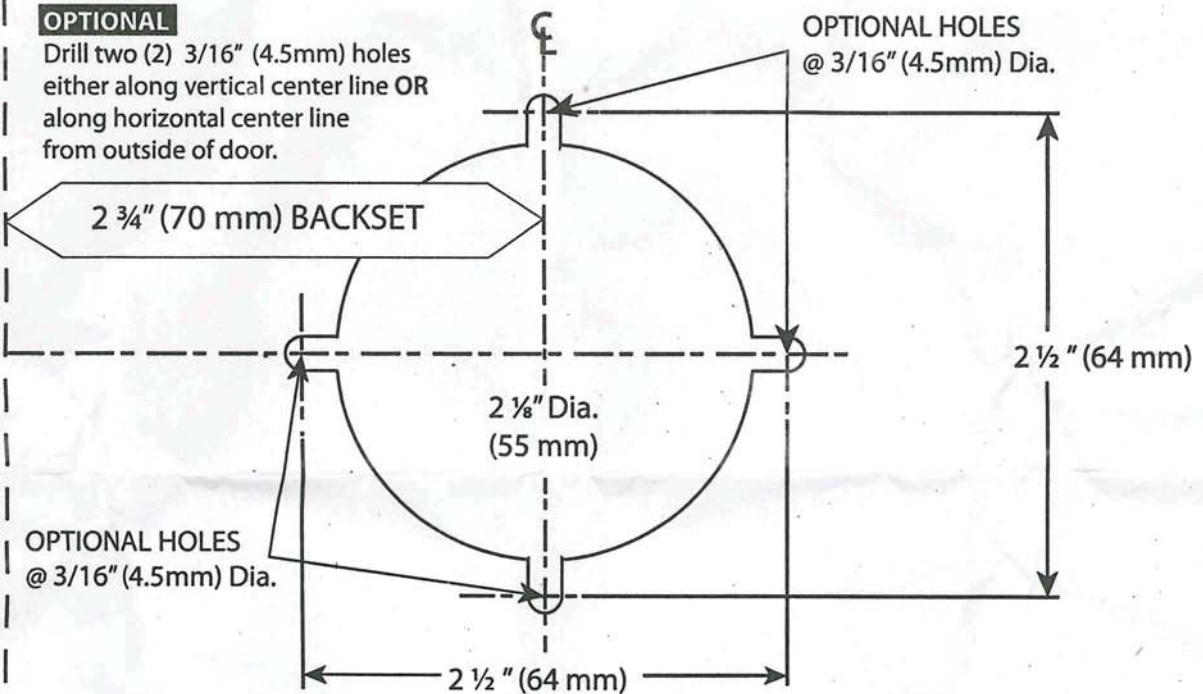
OPTIONAL ALIGNMENT STUDS **MUST** ENTER INTO **EITHER** TWO (2) 3/16" (4.5mm) VERTICALLY POSITIONED **OR** TWO (2) 3/16" (4.5mm) HORIZONTALLY POSITIONED FIELD DRILLED HOLES ON OUTSIDE OF DOOR (EXISTING SLOTS CAN BE ELONGATED WITH A FILE)

**MANUFACTURER'S WARRANTY IS INVALID
IF SECURITY STUDS ARE NOT USED**

FOLD AND ALIGN TEMPLATE ON EDGE OF DOOR

**TEMPLATE
FOR WOOD OR METAL DOOR**

OPTIONAL
Drill two (2) 3/16" (4.5mm) holes either along vertical center line **OR** along horizontal center line from outside of door.



PLACE TEMPLATE ON
HIGH EDGE OF BEVEL