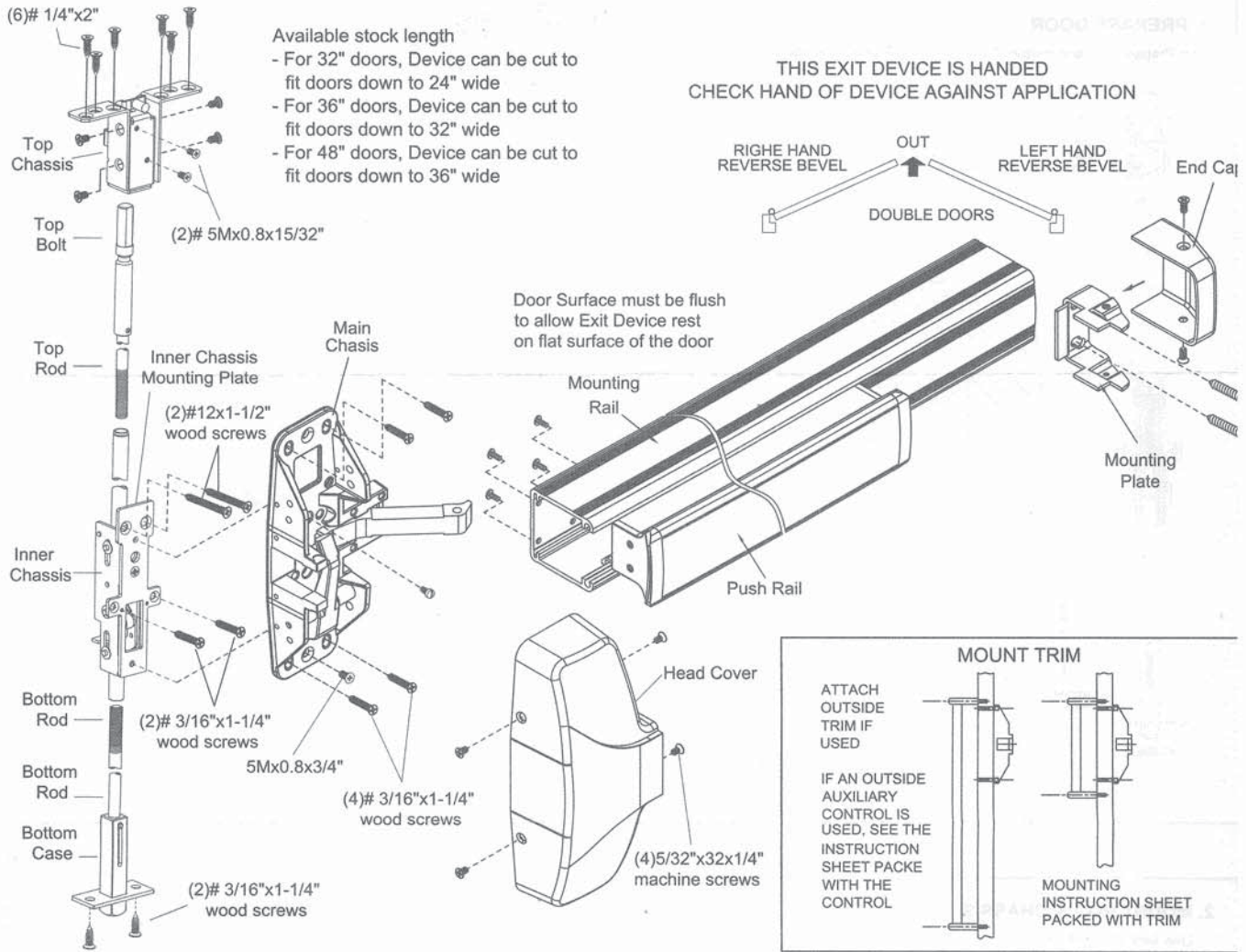
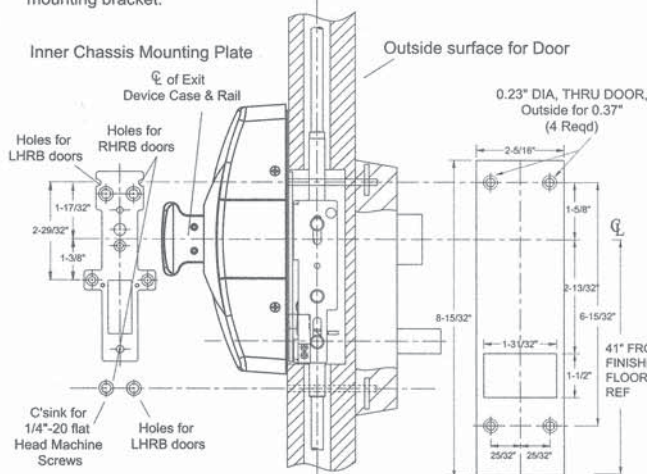


INSTRUCTIONS FOR INSTALLING CAL-ROYAL W77CVR SERIES CONCEALED VERTICAL ROD EXIT DEVICE



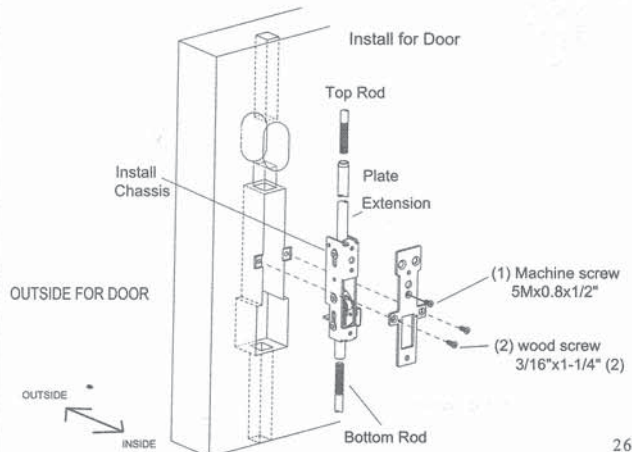
INSTRUCTIONS FOR INSTALLING CAL-ROYAL ESC LEVER TRIM FOR WCVR9800 SERIES CONCEALED VERTICAL ROD EXIT DEVICE

1. Thru Inner Chassis cutout in the door, insert the extension in the door.
2. Insert Inner chassis in the cutout, and insert reduced end of extension in top threaded bushing on inner chassis, and fasten the rod extension with 1 machine screw.
3. On outside of door thru the cutout, install Plate into extension in the door.
4. Before attaching main chassis and inner chassis to the door, attach esc lever trim to the door with (2) 1/4-20 x 2-3/8" flat head machine screws.
5. Then attach Rail Ass'y to the chassis, and hinge stile end of rail to the door with mounting bracket.



INSTRUCTIONS FOR INSTALLING CAL-ROYAL WOOD DOOR ESC TRIM WCVR9800 SERIES CONCEALED VERTICAL ROD EXIT DEVICE

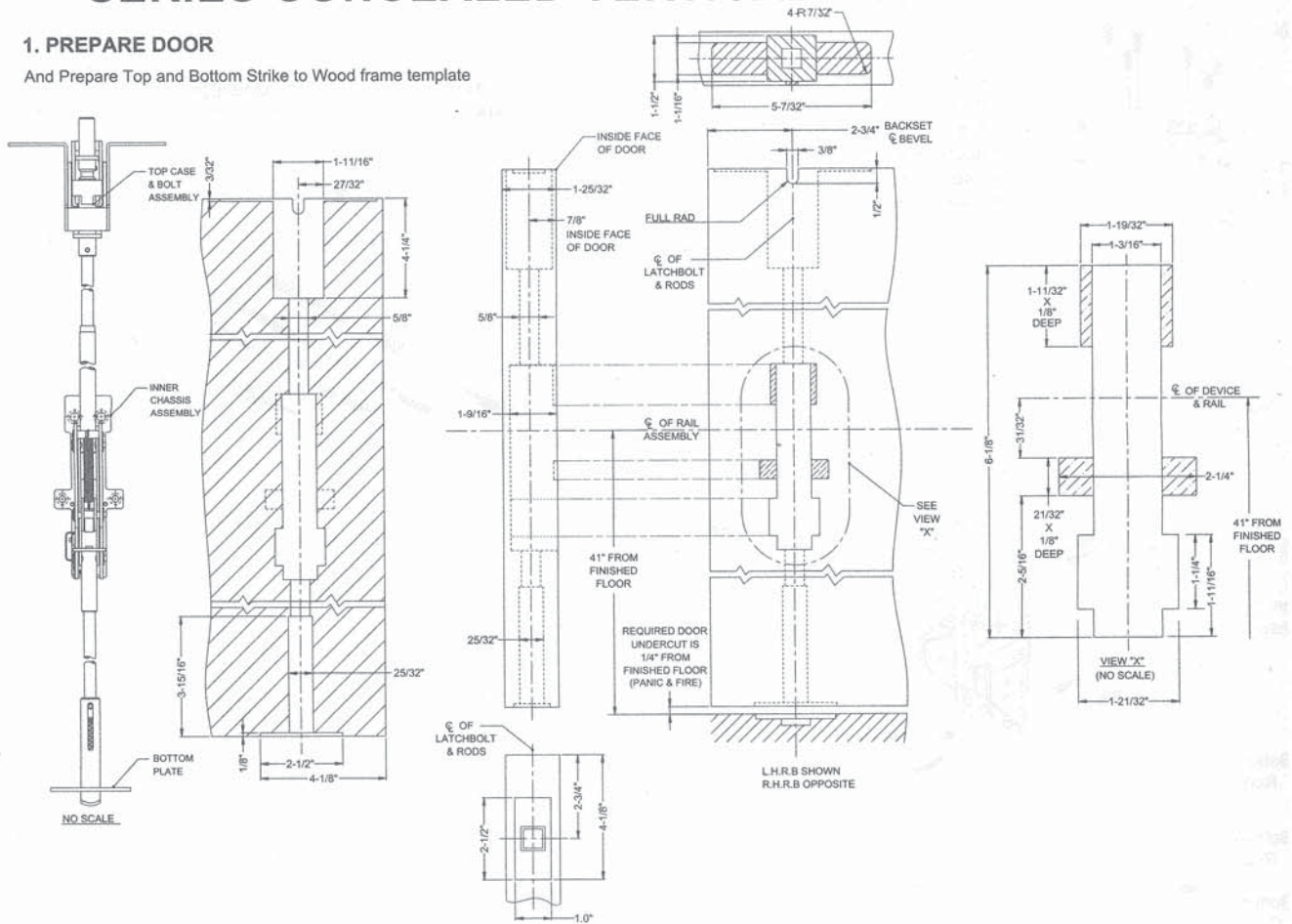
1. Thru Inner Chassis cutout in the door, insert the extension in the door.
2. Insert Inner chassis in the cutout, and insert reduced end of extension in top threaded bushing on inner chassis, and fasten the rod extension with 1 machine screw.
3. On outside of door thru the cutout, install Plate into extension in the door.
4. Attach mounting plate to inner chassis with 2 machine screws, then attach mounting plate to the door with 2 wood screws.
5. Attach WD Esc trim to the door. Then attach Rail Ass'y to the chassis, and hinge Stile end of rail to the door with mounting plate.



INSTRUCTIONS FOR INSTALLING CAL-ROYAL W77CVR SERIES CONCEALED VERTICAL ROD EXIT DEVICE

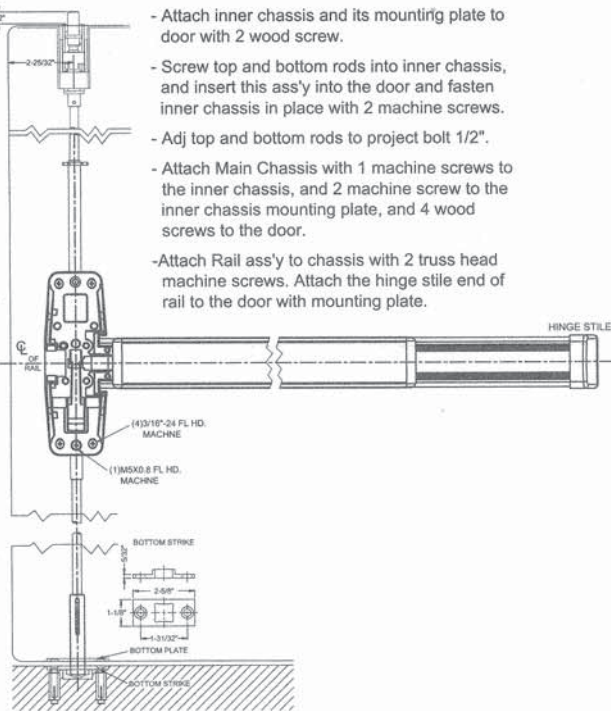
1. PREPARE DOOR

And Prepare Top and Bottom Strike to Wood frame template



2. MOUNT ROD & CHASSIS

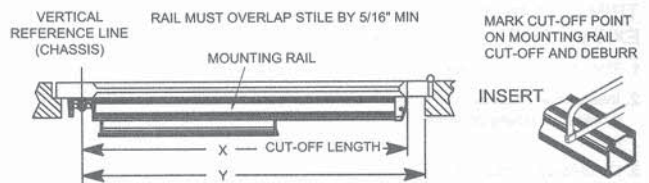
Use Strike Furnished



3. MOUNT RAIL ASS'Y

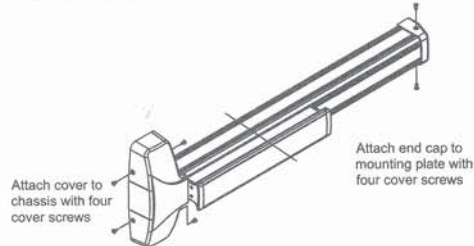
3.1. Determine cut-off dimension "X" by subtracting 1-1/8" from dimension "Y".

- 3.2. Depress arm into rail opening and slide rail onto chassis.
- 3.3. With push rail depressed, adj top bolt flush with top of the door, and bottom bolt flush with bottom.
- 3.4. Insert top chassis into cutout at the top of the door, and attach with six wood screws.



4. ATTACH COVER

- Attach end cap to mounting plate with two cover screws
- Attach cover to chassis with four cover screws.

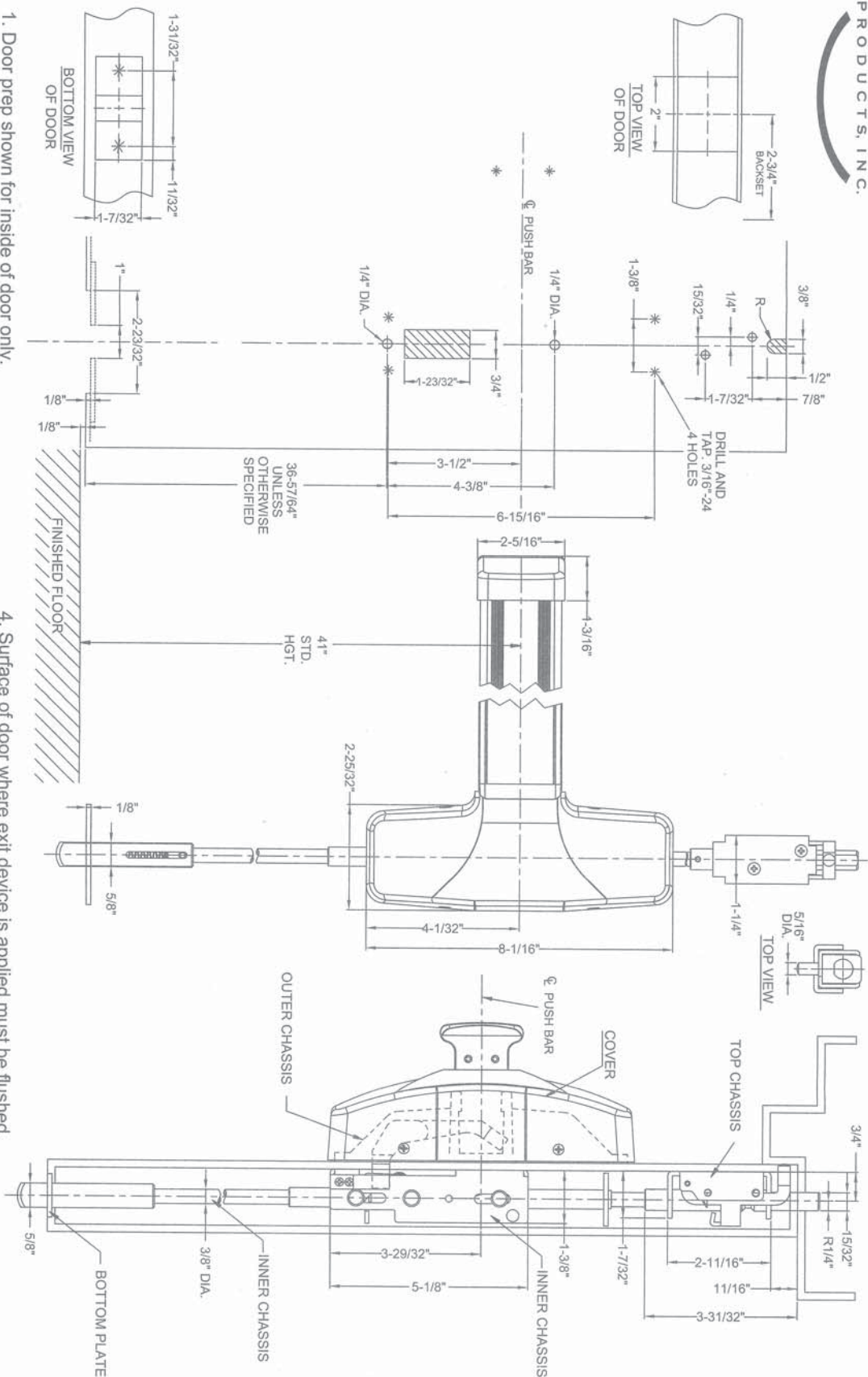


5. OPERATION CHECK

- 5.1. Depress Push rail, bolt should retract into door.
The latch retractor button should pop out and hold the bolt retracted until button is depressed.
- 5.2. If button does not pop out, remove top chassis and screw the top rod in one turn. Replace top chassis and repeat abv operation.



INSTALLATION INSTRUCTION 77CVR DOOR PREP SPECIFICATIONS



1. Door prep shown for inside of door only.
2. If outside pull or control is used, see appropriate metal door template for outside door prep.
3. Reinforce hollow metal doors for top and bottom, and inner chassis where hardware is attached.

4. Surface of door where exit device is applied must be flushed.
5. All tapped holes to be drilled and tapped in field.
6. Tolerance on all fractional dimensions $\pm 1/64$ "