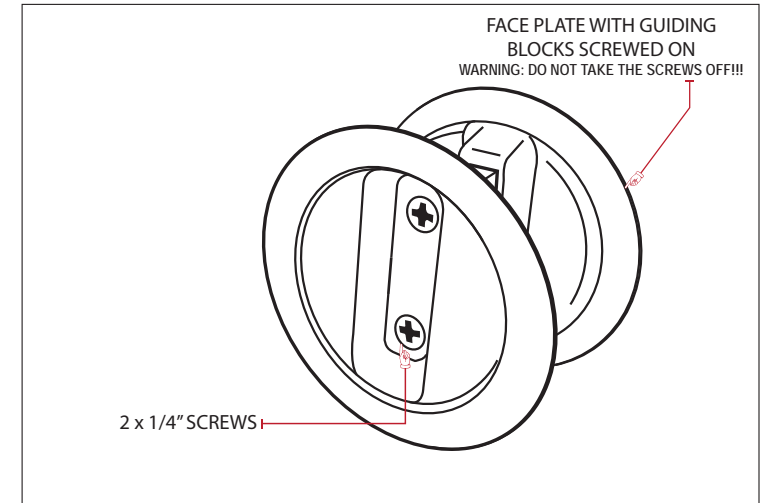


# RSDL40

DUMMY SLIDING DOOR LOCK  
FOR 1-3/8" THICK DOORS ONLY



## INSTALLATION INSTRUCTIONS for 1-3/8" thick doors only

### STEP 1

Using the template above, mark a horizontal centerline 38" (950mm) from the door bottom. Mark the door for a 2-1/8" (54mm) bore, the center should be 2-3/8" (60mm) from the edge of the door.

### STEP 2

Bore 2-1/8" (54mm) thru hole on face of the door. Boring on both faces of the door prevents splitting.

### STEP 3

- a. Insert FACE PLATE WITH GUIDING BLOCKS (DO NOT REMOVE SCREWS) on one side of door.
- b. Align other face plate with guiding blocks and secure using 2 x 1/4" (6.4mm) screws provided, after checking for squareness.

