

UL-LISTED STAINLESS STEEL LEVER EXTENSION MANUAL FLUSH BOLT

Features

- For use on swinging doors measuring up to 4 ft. wide and 8 ft. high, Rated up to and including 3 hrs.
- Lever can be moved to the "UP" position whenever the active door is open to allow retraction of the bolt and opening of the inactive door
- To lock the closed inactive door, lever can be moved to the "DOWN" position allowing the bolt to be projected into the strike securely
- For Fire Rated Steel Hollow Metal Doors
- For Fire Rated Wood or Composite Doors
- Non-Handed

Bolt Tip

- 1/2" Diameter

Throw

- 3/4"

Length

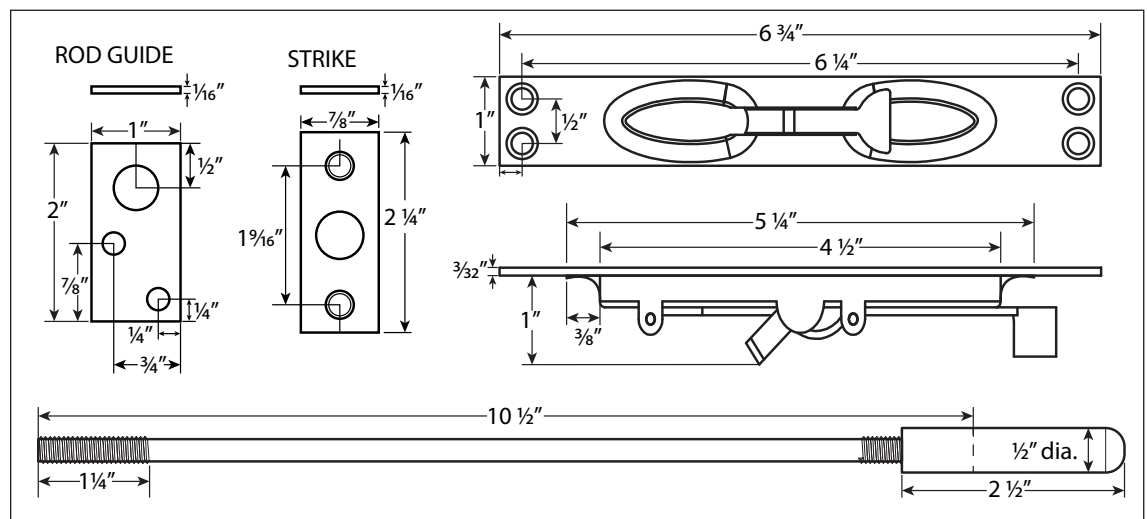
- 13 1/2" (Measured from the center of the flush bolt body to the bolt tip)

Finishes

- US32D - Satin Stainless Steel
- US10B - Oil Rubbed Bronze

Code Compliance

- Conforms to ANSI/BHMA A156.16
- UL-Listed (RF281)



CAL-ROYAL PRODUCTS, INC.

6605 Flotilla St., City of Commerce, CA 90040 U.S.A.
 Phone: (323) 888-6601 • (800) 876-9258 • Fax: (323) 888-6699 • (800) 222-3316
 Email: sales@cal-royal.com • Website: www.cal-royal.com

The illustration and technical description in this cut sheet is current as of the date in the version date on the right. Cal-Royal Product reserves the right to, and may, on occasions, make changes and/or improvements in designs and dimensions without prior notice.

2018 01
VERSION NO. 1
 YEAR PRINTED

© Cal-Royal Products, Inc. 2018