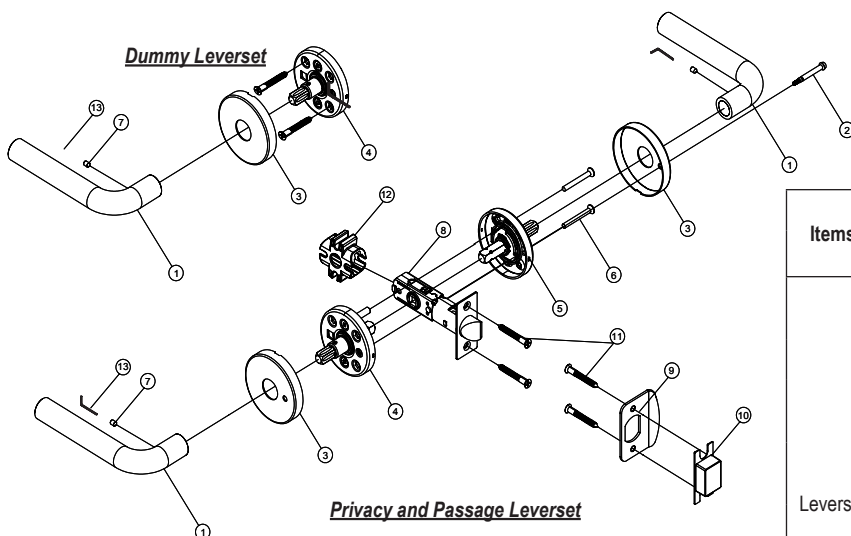
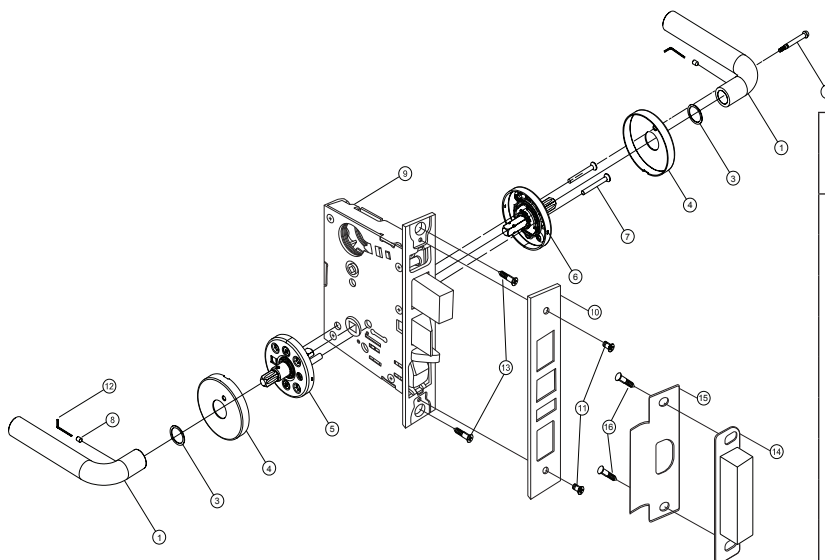


EXPLODED DIAGRAM ROSE WITH TUBULAR LATCH



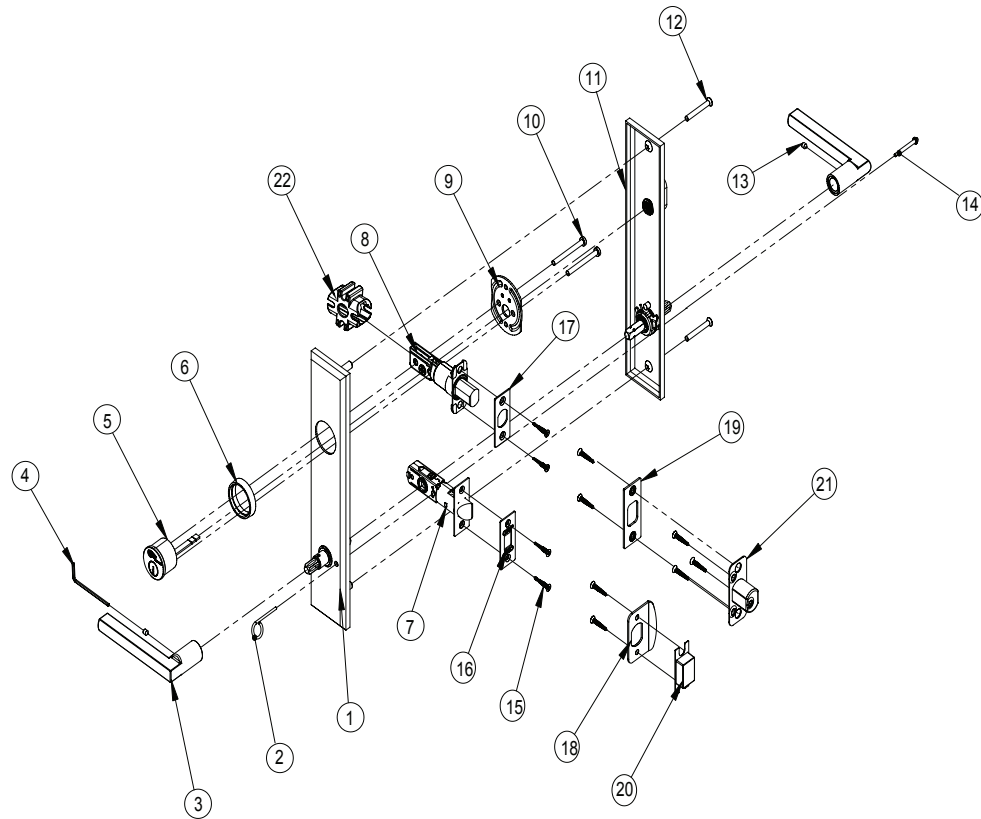
Items	No.	Parts Description	Function		
			Privacy	Passage	Dummy
Leverset	1	Outside / Inside Lever / Knob	2 ea	2 ea	1 ea
	2	Privacy Pin	1 ea	—	—
	3	Giro / Quadro Outside / Inside Rose Cover	2 ea	2 ea	1 ea
	4	Giro / Quadro Outside Inner Rose	1 ea	1 ea	—
	5	Giro / Quadro Inside Inner Rose	1 ea	1 ea	1 ea
	6	8U32*40 Screw	2 ea	2 ea	—
	7	M5x6 Set Screws	2 ea	2 ea	1 ea
	-	4*25 Wood Screw	—	—	4 ea
	13	Hex Key	1 ea	1 ea	1 ea
Locks	8	Tubular Latch	1 ea	1 ea	—
	9	Tubular Latch Striking Plate	1 ea	1 ea	—
	10	Tubular Latch Dust Box	1 ea	1 ea	—
	11	8U32x25 Combination Screws / 3.5x20 Wood Screws	4 ea	4 ea	—
	12	Anti-Pry Shield	1 ea	1 ea	—

EXPLODED DIAGRAM ROSE WITH NM SERIES MORTISE LOCKS



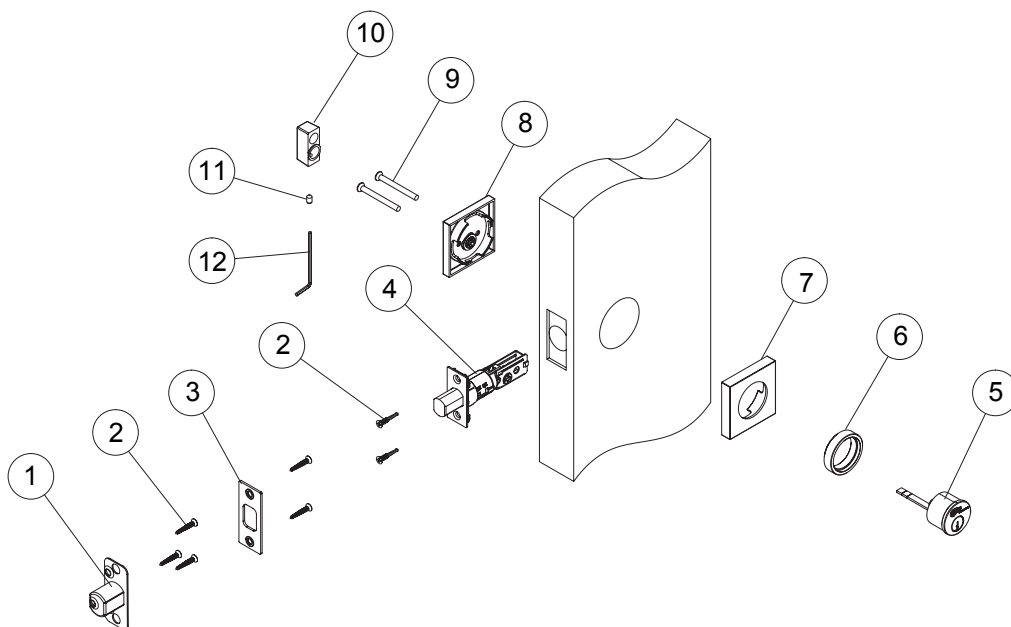
Items	No.	Parts Description	Function
			Mortise
Leverset	1	Outside / Inside Lever / Knob	2 ea
	2	Privacy Pin	1 ea
	3	Giro / Quadro Outside / Inside Rose Cover	2 ea
	4	Giro / Quadro Outside Inner Rose	1 ea
	5	Giro / Quadro Inside Inner Rose	1 ea
	6	8U32*40 Screw	2 ea
	7	M5x6 Set Screws	2 ea
	-	4*25 Wood Screw	—
	12	Hex Key	1 ea
	Mortise Lock	9	Mortise Lock body
10		Mortise Lock Face Plate	1 ea
11		Face Plate screws with Mortise Lock	2 ea
13		Mortise Lock Body screws	2 ea

EXPLODED DIAGRAM ESCUTCHEON WITH TUBULAR LATCH



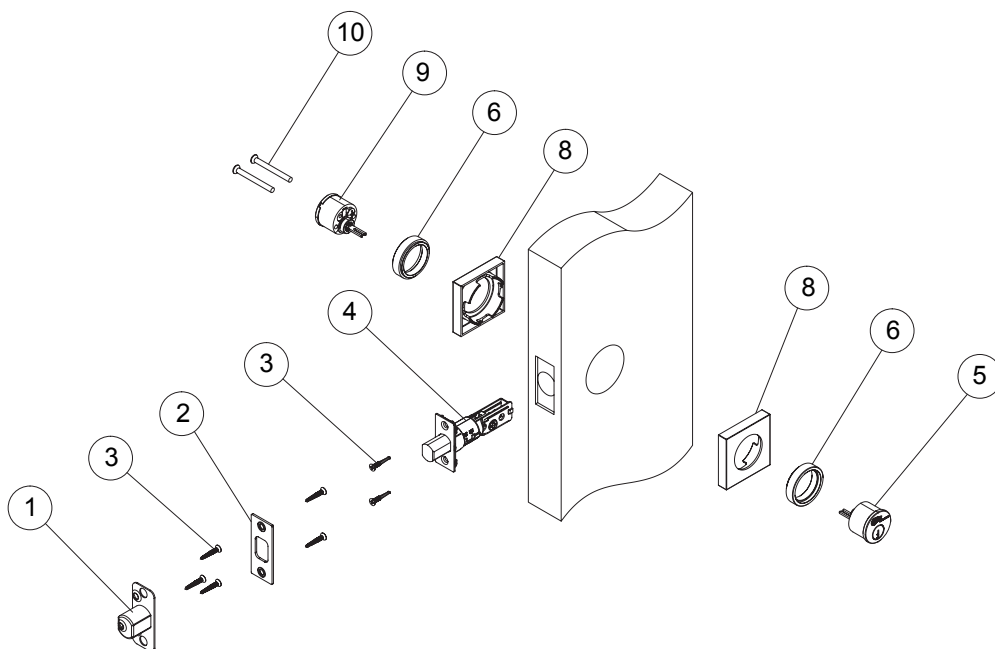
Items	No.	Parts Description	Function			
			Entrance	Privacy	Passage	Dummy
Escutcheon Parts	1	Front Plate	1 ea	1 ea	1 ea	—
	2	Privacy Push Pin Release	—	1 ea	—	—
	3	Lever	2 ea	2 ea	2 ea	1 ea
	4	Hex Key	1 ea	1 ea	1 ea	1 ea
	5	Cylinder	1 ea	—	—	—
	6	Cylinder Ring	1 ea	—	—	—
	9	Cylinder Protective Plate	1 ea	—	—	—
	10	M5 x 50 Screws	2 ea	—	—	—
	11	Back Plate	1 ea	1 ea	1 ea	1 ea
	12	M6 x 40 Screws / 5*38 Wood Screws	2 ea	2 ea	2 ea	2 ea
	13	M5x6 Set Screws	2 ea	2 ea	2 ea	1 ea
	14	Privacy Pin	—	1 ea	—	—
Locks	7	Tubular Latch	1 ea	1 ea	1 ea	—
	8	Deadbolt	1 ea	—	—	—
	15	8U32x25 Combination Screws / 3.5x20 Wood Screws	8 ea	4 ea	4 ea	—
	16	Tubular Latch Striking Plate	1 ea	1 ea	1 ea	—
	17	Deadbolt Face Plate	1 ea	1 ea	1 ea	1 ea
	18	Tabular Latch Striking Plate	1 ea	1 ea	1 ea	—
	19	Deadbolt Striking Plate	1 ea	—	—	—
	20	Tubular Latch Dust Box	1 ea	1 ea	1 ea	—
	21	Deadbolt Dust Box	1 ea	—	—	—
	22	Anti-Pry Shield	1 ea	1 ea	1 ea	—

EXPLODED DIAGRAM SINGLE CYLINDER WITH DEADBOLT



Part List	
1.	Deadbolt Dust Box
2.	5 x 76 Screws (2 ea)
3.	Deadbolt Striking Plate
4.	Deadbolt
5.	Outside Cylinder w/ Tailpiece
6.	Cylinder Ring
7.	Outside Cylinder Escutcheon
8.	Inside Deadbolt Escutcheon
9.	M5 x 65 Screw (2 ea)
10.	Thumbturn
11.	M5 x 6 Set Screw
12.	Hex Key

EXPLODED DIAGRAM DOUBLE CYLINDER WITH DEADBOLT



Part List	
1.	Deadbolt Dust Box
2.	5 x 76 Screws (2 ea)
3.	Deadbolt Striking Plate
4.	Deadbolt
5.	Outside Cylinder w/ Tailpiece
6.	Cylinder Ring
7.	Outside Cylinder Escutcheon
8.	Inside Deadbolt Escutcheon
9.	Inside Cylinder w/ Tailpiece
10.	M5 x 6 Set Screw