

CALYPSO

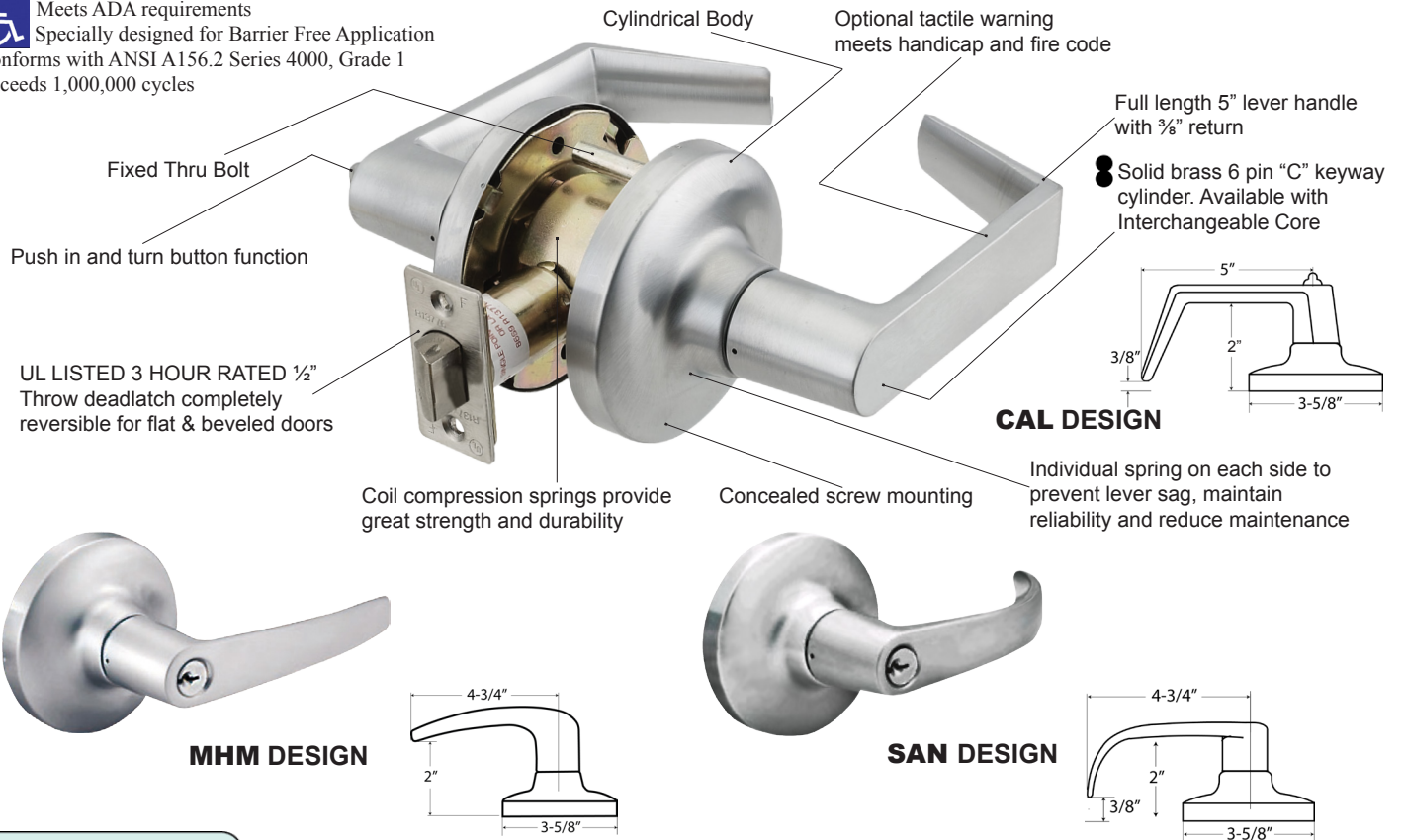
CLUTCH MECHANISM FIXED THRU BOLT INSTALLATION



**LIFETIME
WARRANTY**

MEETS
The Buy American Act

Meets ADA requirements
Specially designed for Barrier Free Application
Conforms with ANSI A156.2 Series 4000, Grade 1
Exceeds 1,000,000 cycles



SPECIFICATIONS

APPLICATIONS
For offices, schools, hospitals, apartments, hotel / motel, residential, commercial and public buildings.

DOOR RANGES
1 3/8" to 2" thickness doors.

BACKSET
2 3/4" Standard, 2 3/8", 3 3/4", 5" and 2 3/4" anti-friction latch with 3/4" throw for pair of fire doors optional.

LATCH BOLT
1/2" Throw solid brass, reversible for RH or LH applications. UL Listed.

LATCH FACEPLATE
2 1/4" x 1 1/8", adjustable for flat or beveled doors 1/8" in 2", for 2 3/4" backset.
Optional 2 1/4" x 1 1/8" for 2 3/8" backset.

STRIKES
ASA strike standard, "T" and full lip strike available on request.

EXPOSED TRIM
Wrought brass, bronze or stainless steel, levers are zinc casting, plated to match trim finish.

CYLINDER & KEYWAYS
6 pin solid brass "C" keyway standard. Schlage E, Schlage C-K, Russwin D1-2-3-4, Corbin 59 / 60, Corbin-Russwin L4, Sargent LA-LB-LC, Falcon / Weiser E, Arrow A, Yale 8, Yale GA and Kwikset. Can also accept Medeco, Assa, Kaba and Cal-Royal (HSK) High Security Cylinders.

INTERCHANGEABLE CORE
Interchangeable Core locks will accept compatible 6 or 7 pin cores with BEST, FALCON and ARROW. Prefix "IC" before part number. Available combined or uncombined. Temporary construction cores available. Factory keying with control key and master key available.

ANSI STANDARDS
Meets or exceeds requirements of BHMA / ANSI A156.2 Series 4000, Grade 1

TACTILE & LEAD LINING available upon request.

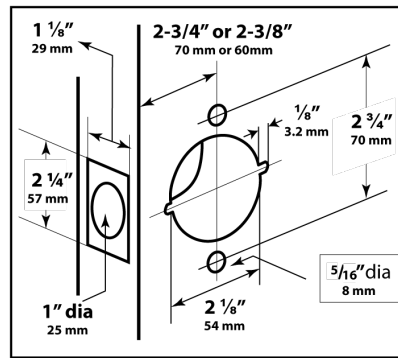
CALYPSO CAL SERIES FINISHES AND FUNCTIONS



| FINISHES AVAILABLE | | |
|--------------------|---------|-------------------|
| BHMA SYMBOL | US CODE | DESCRIPTION |
| 605 | US3 | Polished Brass |
| 606 | US4 | Satin Brass |
| 609 | US5 | Antique Brass |
| 612 | US10 | Satin Bronze |
| 613 | US10B | Oil Rubbed Bronze |
| 619 | US15 | Satin Nickel |
| 625 | US26 | Polished Chrome |
| 626 | US26D | Satin Chrome |

Refer to price list for stock finishes and functions

DOOR PREPARATION



LIFETIME WARRANTY

UL US
3 HOUR FIRE RATED
UL10C, UBC7-2-1997

CAL00
ICCAL00
ANSI: F109
FED#161A

ENTRANCE / OFFICE LOCK
Turn / Push button locking. Pushing and turning button locks outside lever requiring use of key until button is manually unlocked. Pushing button locks outside lever until unlocked with key or inside lever is turned.

CAL07
ICCAL07
ANSI: F110

CLASSROOM INTRUDER
Latch bolt is operated by rotating the inside lever, or rotating the outside lever only when not locked from the inside or outside key. Outside lever is locked and unlocked by turning the key inside or outside lever. Inside lever cannot be locked.

CAL02
ICCAL02
ANSI: F91
FED#161G

STORELOCK
Dead locking latch bolt operated by lever from either side, except when both levers are locked by key in lever from either side.

CAL09
ICCAL09
ANSI: F87
FED#161W

INSTITUTION
Dead locking latch bolt operated by key in lever from either side. Both lever always fixed.

CAL03
ICCAL03
ANSI: F84
FED#161R

CLASSROOM
Dead locking latch bolt operated by lever from either side except when outside lever is locked from outside by key. When outside lever is locked, latch bolt is operated by turning inside lever.

CAL101
ICCAL101
ANSI: F90
FED#161T

DORMITORY
Dead locking latch bolt operated by lever from either side except when outside lever is locked by key or by push button on inside lever. Key in outside lever locks or unlocks outside lever. Outside key releases push button when locked from inside. Rotating inside lever or closing the door releases push button.

CAL04
ICCAL04
ANSI: F80
FED#161S

COMMUNICATING
Dead locking latch bolt operated by lever from either side. Turning key in either lever locks or unlocks its own lever independently.

CAL20
ANSI: F76
FED#161L

PRIVACY LOCK
Latch bolt operated by lever from either side. Outside lever is locked by push button inside and unlocked by emergency release outside. Turning inside lever or closing door releases push button.

CAL05
ICCAL05
ANSI: F86
FED#161D

STOREROOM
Dead locking latch bolt operated by key in outside lever or by rotating inside lever. Outside lever is always fixed.

CAL30
ANSI: F75
FED#161N

PASSAGE SET
Latch bolt operated by lever from either side at all times.

CAL06
ICCAL06
ANSI: F88
FED#161C

VESTIBULE
Dead locking latch bolt operated by lever from either side except when outside lever is locked by key from inside. Latch bolt may be retracted by key in outside lever or by rotating inside lever.

CAL40

DUMMY LEVER
Single dummy trim for one side of door. Pull only.

● "IC" Indicates function available with BEST, FALCON & ARROW Interchangeable Core.

HOW TO ORDER: For "SPA" or "MHM" designs, replace design name.
Example: CAL00 Entrance in "SAN" is SAN00.

OTHER FUNCTIONS NOT LISTED AVAILABLE UPON REQUEST