

BARRINGTON
QUALITY DESIGNED AND ENGINEERED
FOR COMMERCIAL BUILDINGS



LIFETIME WARRANTY

MEETS
The Buy American Act

Exceeds BHMA/ANSI A156.2
Series 4000, Grade 2 (FF-H-106C)

Button push in and turn button function

Knob cannot slip or pull off. Both kept in position by positive spring catch

Internal mechanism heavy gauge cold rolled steel. All parts are zinc plated and dichromated to assure protection from rust or corrosion. Special lubricant applied for smoother operation

Throw bolt affords a high degree of security. Standard with solid, rustless, pressure cast. #300 series anti-magnetic stainless steel or brass latch bolt available with UL listed latch bolt for 3 hour rated door 4' x 8' or non UL latch bolt

Guard bolt dead locks latch bolt automatically

Latch case sturdy all steel mechanism

Inside rose, threaded 3" diameter large rose adjustable for various door thickness

Cylindrical housing 2 1/8" diameter provides great strength and durability

Outside rose, threaded 3" diameter large rose adjustable for various door thickness

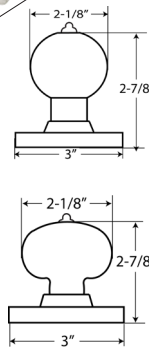
Long spindle hub eliminates hub wobble

Solid brass 6 pin "C" keyway cylinder.

Available with Best / Falcon Style (SFIC) Interchangeable Core

Cylinder precision solid brass. Pick resistant 6-pin tumbler. Must turn key one-quarter to remove and replace cylinder. Can be construction keyed and master keyed as required

Cylinder knob demountable for quick re-keying and replacement: reversible for either left or right hand door swinging in or out



BA DESIGN

PLG DESIGN

SPECIFICATIONS

DOOR RANGES

1 3/8" to 1 3/4" thickness doors.

BACKSET

2 3/4" Standard, 2 3/8", 3 3/4" and 5" extension available.

LATCH FACEPLATE

2 1/4" x 1 1/8" for 2 3/4" backset, 2 1/4" x 1" for 2 3/8" backset.

STRIKES

ANSI strike standard, 4 7/8" x 1 1/4". Optional "T" and full lip strike available on request.

KEYING

6-pin "C" keyway cylinder, 2 keys per lock.

EXPOSED TRIM

Wrought brass, bronze or stainless steel.

ADDITIONAL KEYWAYS

6 pin solid brass "C" keyway standard. Schlage E, Schlage C-K, Russwin D1-2-3-4, Corbin 59 / 60, Corbin-Russwin L4, Sargent LA-LB-LC, Falcon / Weiser E, Arrow A, Yale 8, Yale GA and Kwikset. Can also accept Medeco, Assa, Kaba and Cal-Royal (HSK) High Security Cylinders.

BORE DIAMETER

1" for latch. 2 1/8" for lock housing.

INTERCHANGEABLE CORE

Interchangeable Core locks will accept compatible 6 or 7 pin cores with BEST, FALCON and ARROW. Prefix "IC" before part number. Available combined or uncombined. Temporary construction cores available. Factory keying with control key and master-key available.

ANSI STANDARDS

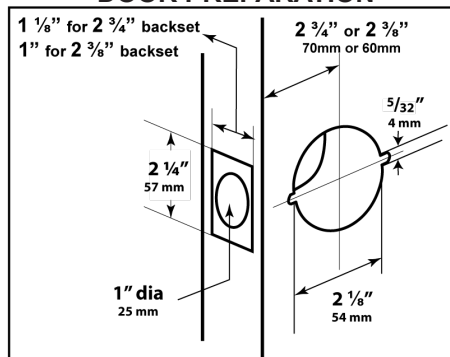
Meets or exceeds requirements of BHMA / ANSI A156.2 series 4000 for Grade 2 (FF-H-106C).

BARRINGTON BA SERIES FINISHES AND FUNCTIONS

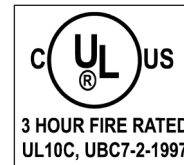


FINISHES AVAILABLE		
BHMA SYMBOL	US CODE	DESCRIPTION
605	US3	Polished Brass
606	US4	Satin Brass
609	US5	Antique Brass
612	US10	Satin Bronze
613	US10B	Oil Rubbed Bronze
619	US15	Satin Nickel
625	US26	Polished Chrome
626	US26D	Satin Chrome

DOOR PREPARATION



LIFETIME WARRANTY



Refer to price list for stock finishes and functions

BA00
ICBA00
PLG00
ANSI F109
FED# 161A / 160A



ENTRANCE / OFFICE LOCK

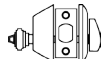
Turn / Push button locking. Pushing and turning button locks outside knob requiring use of key until button is manually unlocked. Pushing button locks outside knob until unlocked with key or inside knob is turned.

COMBINATION ENTRANCE / OFFICE LOCK AND SINGLE CYLINDER DEADBOLT -- KA / 2 PACKED TOGETHER

Turn / Push button locking. Pushing and turning button locks outside knob requiring use of key until button is manually unlocked. Pushing button locks outside knob until unlocked with key or inside knob is turned.



BA00 / T220



Dead locking latch bolt retracted by key from outside or by thumb turn on inside. Adjustable 2 3/8" or 2 3/4" backset.

BA09
ICBA09
PLG09
ANSI F87



INSTITUTION

Deadlocking latch bolt operated by key in knob from either side. Both knobs are always fixed.

BA80
ICBA80
PLG50



EXIT LOCK / CONNECTING ROOM

Deadlocking latch bolt operated with key from inside only. Blank plate outside.

BA101
ICBA101
ANSI: F90-2



CORRIDOR LOCK / DORMITORY

Deadlocking latch bolt operated by knob from either side except when outside knob is locked by key or by push button on inside. Key in outside knob locks or unlocks outside knob. Rotating inside knob releases push button. Inside knob always operates.

BA10
ANSI F77
FED# 161P / 160P



PATIO LOCK

Deadlocking latch bolt operated by knob from either side. Outside knob is locked by push button inside and unlocked by rotating inside knob or closing door.

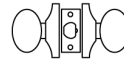
BA20
PLG20
ANSI F76
FED#161L / 160L



PRIVACY LOCK

Latch bolt operated by knob from either side. Outside knob is locked by push button inside and unlocked by emergency release outside. Turning inside knob or closing door releases push button.

BA30
PLG30
ANSI F75
FED#161N / 160N



PASSAGE SET

Latch bolt operated by knob from either side at all times.

BA40
PLG40



DUMMY LEVER

Single dummy trim for one side of door. Pull only.

BA50
ANSI F89



EXIT LOCK

Deadlocking latch bolt by inside knob. Outside plate only.

HOW TO ORDER:

For "PLG" designs, replace design name.
Example: BA00 entrance in "PLG" is PLG00.

(IC) Indicates function available with BEST, FALCON & ARROW Interchangeable Core.

ALL OTHER FUNCTIONS NOT LISTED ARE AVAILABLE ON SPECIAL ORDER