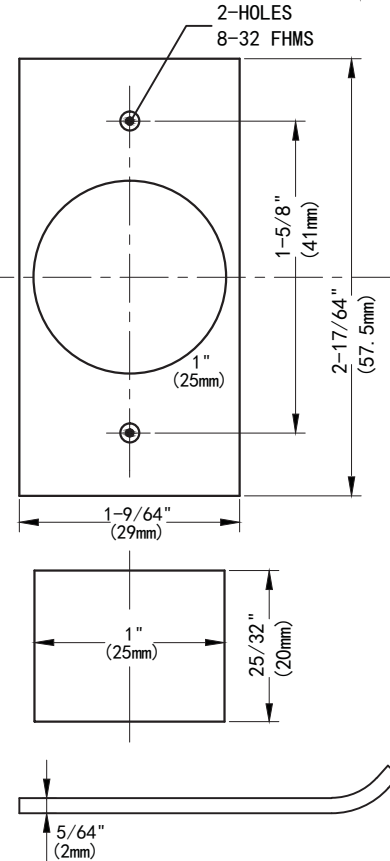
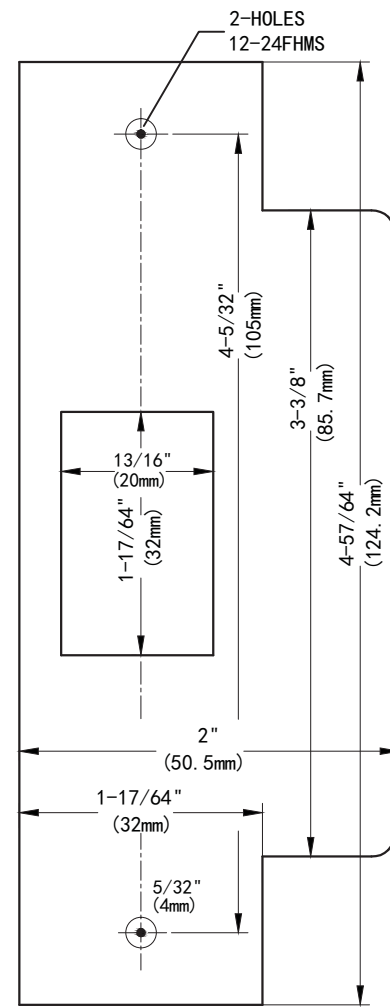
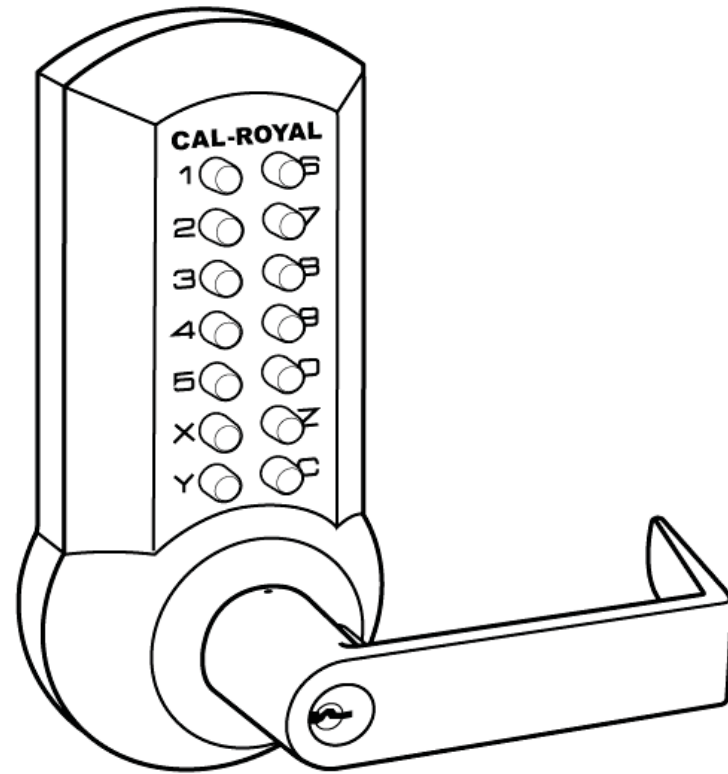




# CRCODE-200 SERIES

## GRADE 2 MECHANICAL PUSH BUTTON LOCK AND EXIT DEVICE TRIM WITH BREAKAWAY LEVER FEATURE



**RIGHT HAND**

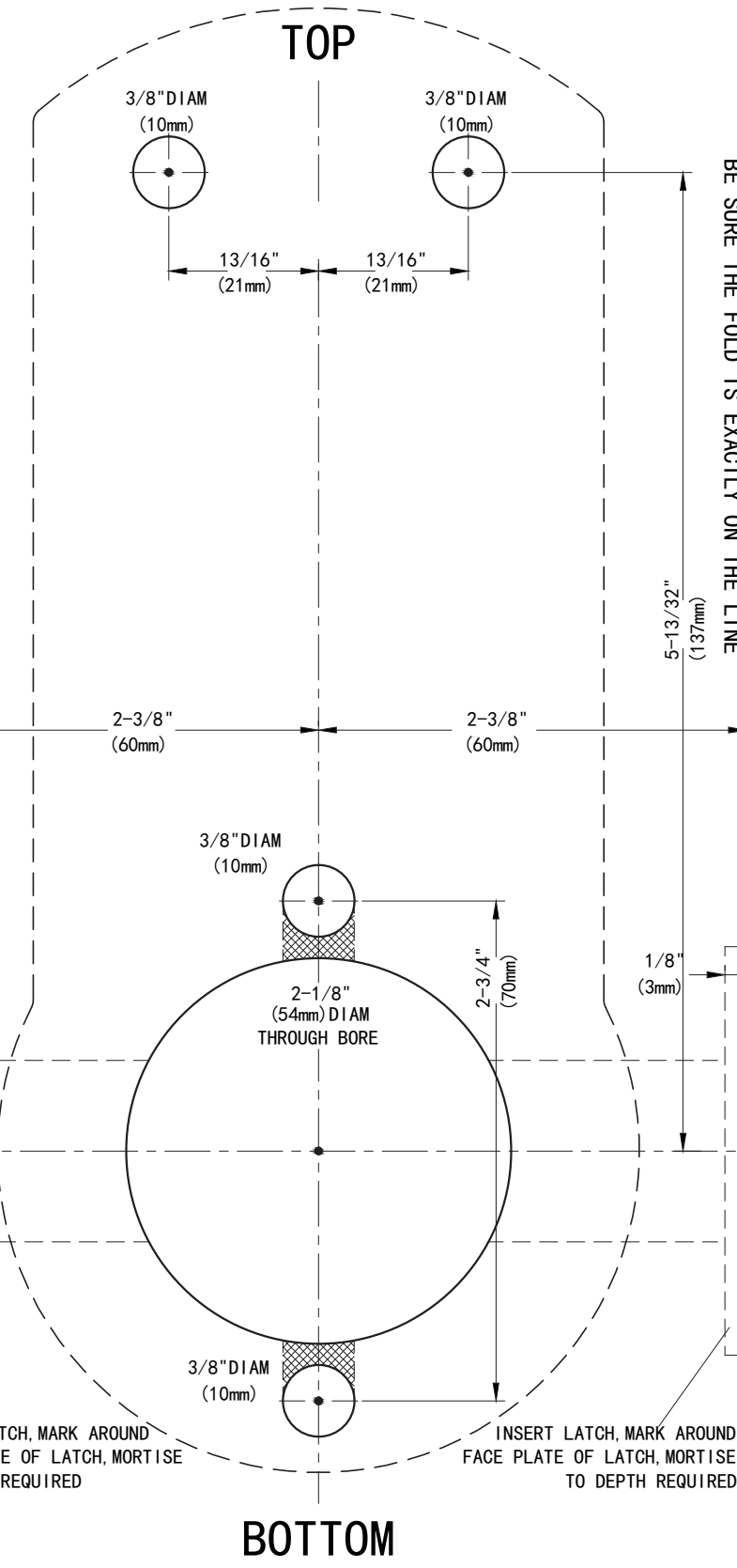
**CAUTION**  
APPLY TEMPLATE  
AND DRILL FROM

MARK CENTER  
OF DOOR  
THICKNESS

CROSS BORE  
1" (25mm) DIAM.  
LATCH HOLE

NOT TO SCALE

THIS FLAP FOLDS OVER THE EDGE OF THE DOOR  
BE SURE THE FOLD IS EXACTLY ON THE LINE



THIS FLAP FOLDS OVER THE EDGE OF THE DOOR  
BE SURE THE FOLD IS EXACTLY ON THE LINE

THIS FLAP FOLDS OVER THE EDGE OF THE DOOR  
BE SURE THE FOLD IS EXACTLY ON THE LINE

**LEFT HAND**

**NOTE:**  
Lock will accommodate doors  
1-3/8" (35mm) to 2-1/4" (57mm) thick.

MARK CENTER  
OF DOOR  
THICKNESS

CROSS BORE  
1" (25mm) DIAM.  
LATCH HOLE

NOT TO SCALE