

CHALLENGER

NON CLUTCH MECHANISM CYLINDRICAL LEVERSET

Optional tactile warning meets handicap and fire code

Push in and turn button function

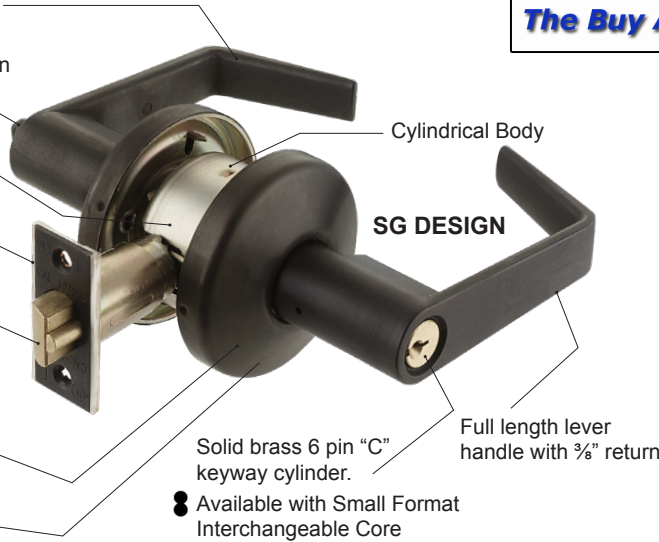
Coil compression springs provide great strength and durability

Plastic filler for use on 1 1/8" door prep

UL LISTED 3 HOUR RATED 1/2" Throw deadlatch completely reversible for flat & beveled doors

Individual spring on each side to prevent lever sag, maintain reliability and reduce maintenance

Concealed mounting screws



LIFETIME WARRANTY



MEETS
The Buy American Act

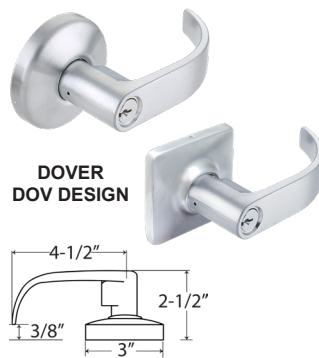
Meets ADA requirements
Specially designed for Barrier Free Application
Conforms with ANSI A156.2 Series 4000, Grade 2
Exceeds 400,000 cycles



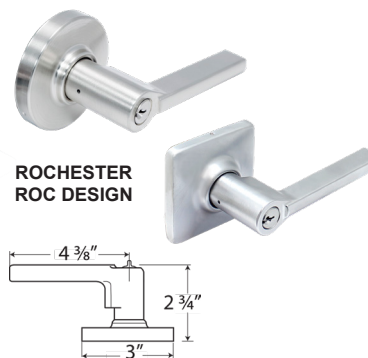
To order Square Rose, please refer to the bottom of the next page.



**MANHATTAN
MAN DESIGN**



**DOVER
DOV DESIGN**



**ROCHESTER
ROC DESIGN**



**ASTOR
AST DESIGN**

SPECIFICATIONS

APPLICATIONS

For offices, schools, hospitals, apartments, hotel / motel, residential, commercial and public buildings.

DOOR RANGES

1 3/8" to 2" thickness.

BACKSET

2 3/4" Standard, 2 3/8", 3 3/4" and 5" optional.

LATCH BOLT

1/2" Throw solid brass, reversible for RH or LH applications. UL Listed.

LATCH FACEPLATE

2 1/4" x 1", square corner packed with 1/8" plastic filler for width. 1 1/8"

ANSI STANDARDS

Meets or exceeds requirements of BHMA / ANSI A156.2 Series 4000, Grade 2 (FF-H 106C), 400,000 cycles.

EXPOSED TRIM

Wrought brass, bronze or stainless steel, levers are Zinc casting, plated to match trim finish.

KEYING

6-pin "C" keyway cylinder, 2 keys per lock. Keying as per individual job requirement.

CYLINDER & KEYWAYS

6 pin solid brass "C" keyway standard. Schlage E, Schlage C-K, Russwin D1-2-3-4, Corbin 59 / 60, Corbin-Russwin L4, Sargent LA-LB-LC, Falcon / Weiser E, Arrow A, Yale 8, Yale GA and Kwikset. Can also accept Medeco, Assa, Kaba and Cal-Royal (HSK) High Security Cylinders.

INTERCHANGEABLE CORE

Interchangeable Core locks will accept compatible 6 or 7 pin cores with BEST, FALCON and ARROW. Prefix "IC" before part number. Available combined or uncombined. Temporary construction cores available. Factory keying with control key and master key available.

STRIKES

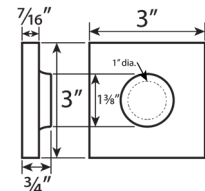
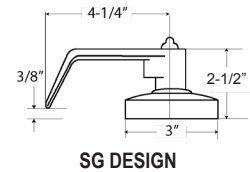
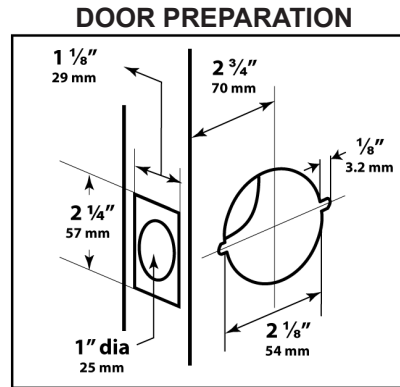
ASA strike standard, "T" and full lip strike available on request.

TACTILE & LEAD LINING available upon request.



FINISHES AVAILABLE		
BHMA SYMBOL	US CODE	DESCRIPTION
605	US3	Polished Brass
606	US4	Satin Brass
609	US5	Antique Brass
612	US10	Satin Bronze
613	US10B	Oil Rubbed Bronze
619	US15	Satin Nickel
625	US26	Polished Chrome
626	US26D	Satin Chrome

Refer to price list for stock finishes and functions



SG00
ICSG00
 ANSI: F109

ENTRANCE / OFFICE LOCK
 Turn / Push button locking. Pushing and turning button locks outside lever requiring use of key until button is manually unlocked. Pushing button locks outside lever until unlocked with key or inside lever is turned.

SG20
 ANSI: F76

PRIVACY LOCK
 Latch bolt operated by lever from either side. Outside lever is locked by push button inside and unlocked by emergency release outside. Turning inside lever or closing door releases push button.

SG03
ICSG03
 ANSI: F84

CLASSROOM LOCK
 Dead locking latch bolt operated by lever from either side except when outside lever is locked from outside by key. When outside lever is locked, latch bolt is operated by turning inside lever.

SG30
 ANSI: F75

PASSAGE SET
 Latch bolt operated by lever from either side at all times.

SG05
ICSG05
 ANSI: F86

STOREROOM LOCK
 Dead locking latch bolt operated by key in outside lever or by rotating inside lever. Outside lever is always fixed.

SG40

DUMMY LEVER
 Single dummy trim for one side of door. Pull only.

SG10
 ANSI: F77

PATIO
 Deadlocking latch bolt operated by lever from either side. Outside lever is locked by push button inside and unlocked by rotating inside lever or closing door.

SG50
 ANSI: F89

EXIT LOCK
 Blank plate outside. Inside lever always unlocked.

HOW TO ORDER ROUND ROSE:
 For "MAN", "AST", "ROC" or "DOV" designs, replace design name.

Example: SG00 entrance in "AST" is **AST00**

HOW TO ORDER SQUARE ROSE:
 For "MAN", "AST", "ROC" or "DOV" designs, replace design name and add "-SQ" after function number.

Example: SG00 entrance in "AST" is **AST00-SQ**

● "IC" Indicates function available with BEST, FALCON & ARROW Interchangeable Core.

OTHER FUNCTIONS NOT LISTED ARE AVAILABLE UPON REQUEST