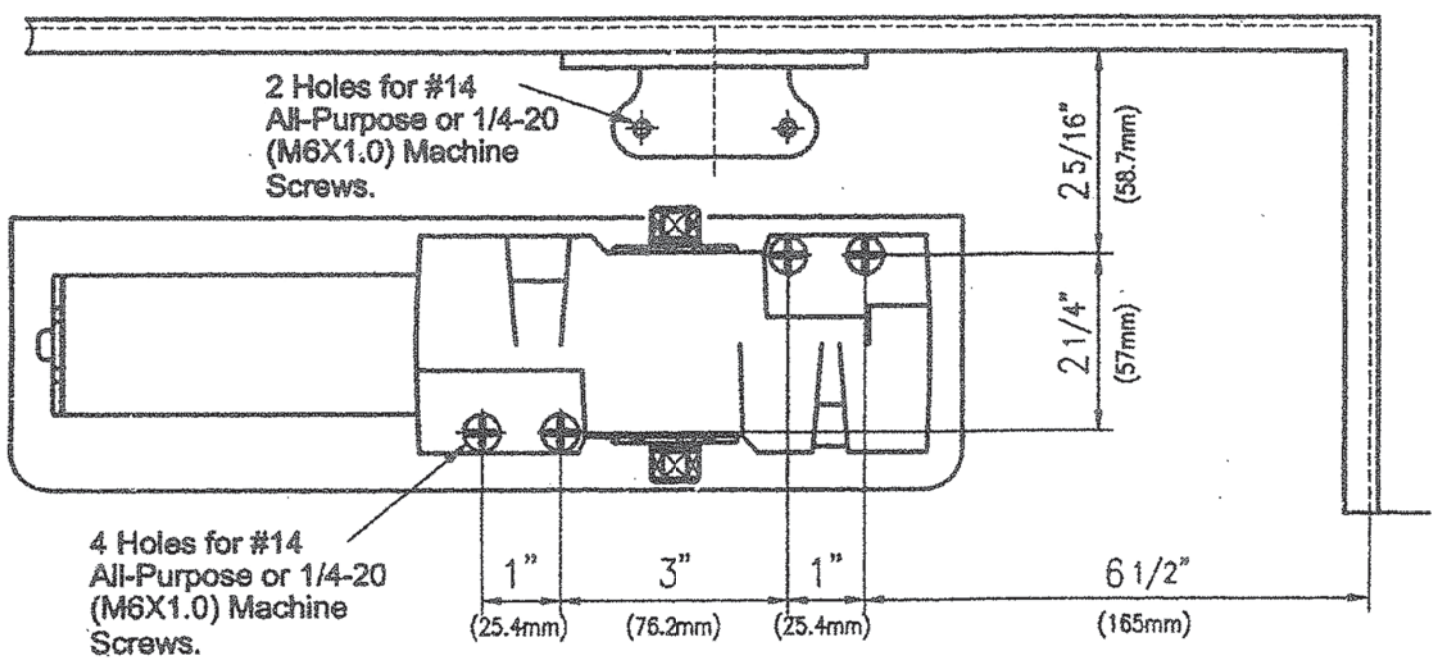


5 Holes for #14  
All-Purpose or 1/4-20  
(M6X1.0) Machine  
Screws.

7 7/8"  
(200mm)




2 Holes for #14  
All-Purpose or 1/4-20  
(M6X1.0) Machine  
Screws.

4 Holes for #14  
All-Purpose or 1/4-20  
(M6X1.0) Machine  
Screws.

1" (25.4mm) 3" (76.2mm) 1" (25.4mm) 6 1/2" (165mm)

NOTE: Illustration shows RIGHT HAND DOOR configuration. For LEFT HAND DOOR do the reverse.

 <p>6605 Flotilla St. City of Commerce CA 90040 USA Tel: (323) 888-6601 FAX: (323) 888-6699 Website: cal-royal.com Email: sales@cal-royal.com</p>	DESCRIPTION:		SCALE:
	CR441 SERIES DOOR CLOSER PARALLEL ARM INSTALLATION - PUSH SIDE		NOT TO SCALE
	ANSI:	UNIT:	VERSION:
	inches [mm]	ver. 1.0 rev. 05/12	bteves/adg