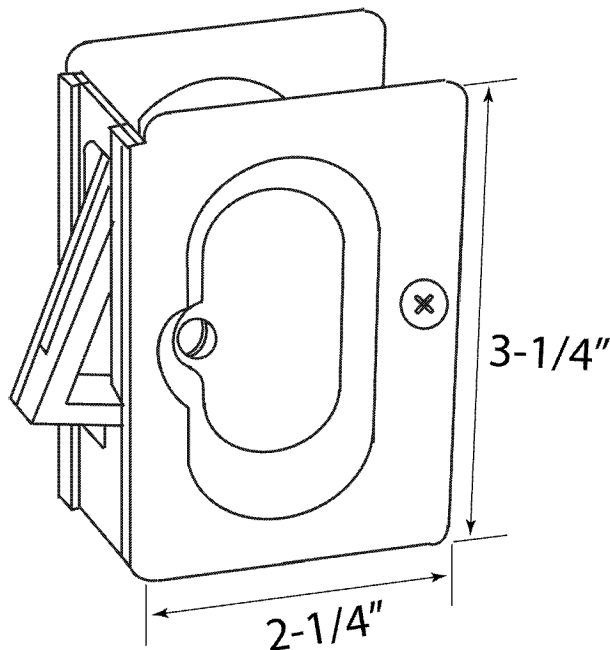
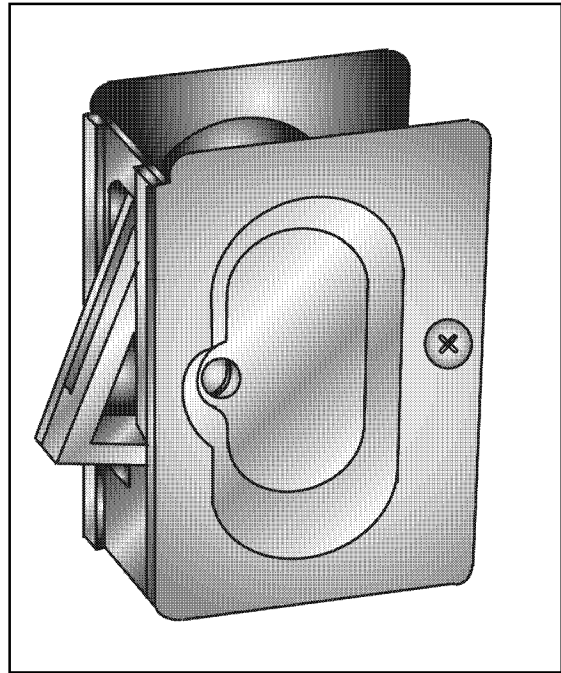


Heavy Duty Solid Brass Passage Sliding Door Lock

- ⦿ Heavy Duty
- ⦿ Passage sliding door lock function
- ⦿ Door prep: 2-7/8" (L) x 1-3/4" (W)
- ⦿ Easy installation onto pocket-type interior doors with just a simple cut in door edge
- ⦿ Adjust from 1-3/8" to 1-3/4" thick doors
- ⦿ Architectural finishes available



Cal-Royal Products, Inc.

6605 Flotilla St., City of Commerce, CA 90040 U.S.A.

Phone: (323) 888-6601 • (800) 876-9258 • Fax: (323) 888-6699 • (800) 222-3316

Email: sales@cal-royal.com • Website: www.cal-royal.com



The illustration and technical description in this Specification Sheet is current as of the date in the version box above. Cal-Royal Product reserves the right to, and may frequently make changes and/or improvements in designs and dimensions.