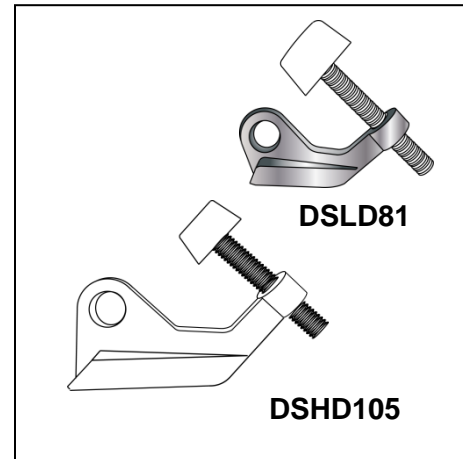


# DSL81, DSHD105

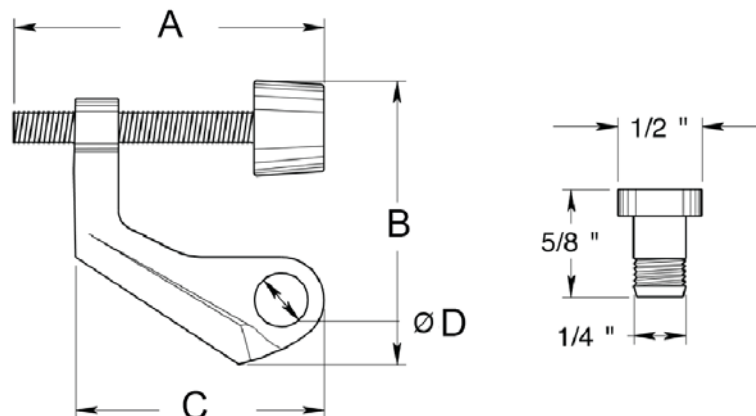
## Hinge Pin Stop with removable nylon bushing

For use on hinged doors where the installation of a standard door stop is not desirable

- ⊙ Designed for narrow trim installation
- ⊙ High quality rubber bumpers - shoulder on stud supports rubber through entire body for engineered cushioning
- ⊙ Removable bushings accommodate 1/4" to 5/16" diameter hinge pins
- ⊙ Residential (DSL81) and Commercial (DSHD105) applications
- ⊙ Easy installation
- ⊙ Made from solid brass
- ⊙ Architectural finishes available



DIMENSIONS	A	B	C	D
DSL81	1-3/4"	1-3/4"	1-1/4"	0.306"
DSHD105	2-1/4"	2-1/4"	1-3/4"	0.345"



### Cal-Royal Products, Inc.

6605 Flotilla St., City of Commerce, CA 90040 U.S.A.

Phone: (323) 888-6601 • (800) 876-9258 • Fax: (323) 888-6699 • (800) 222-3316

Email: [sales@cal-royal.com](mailto:sales@cal-royal.com) • Website: [www.cal-royal.com](http://www.cal-royal.com)



The illustration and technical description in this Specification Sheet is current as of the date in the version box above. Cal-Royal Product reserves the right to, and may frequently make changes and/or improvements in designs and dimensions.