

MAGNETIC DOOR HOLDER WIRING DIAGRAM



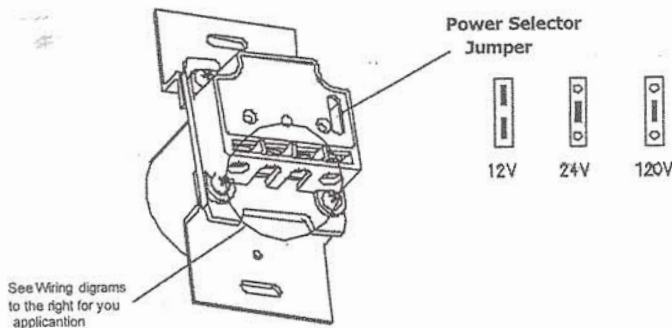
Electrical Data Sheet

Voltage	DC/mA	DC/VA	AC/mA	AC/VA	Terminals
12V	60	0.72	52	0.63	Com&12V
24V	30	0.72	26	0.63	Com&24V
120V			24	2.9	Com& 120V

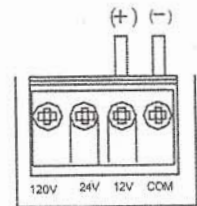
Importance:

- 1.Factory is preset at 120V.
- 2.Before installing,Please read instructions carefully.Wire into proper terminals as stated below to avoid to be burned.

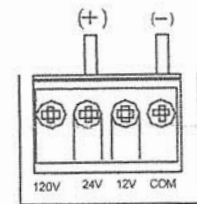
Print Circuit Board Schematic



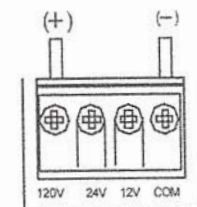
WIRING FOR
12 VDC / AC



WIRING FOR
24 VDC / AC



WIRING FOR
120 VAC



Typical Installation

