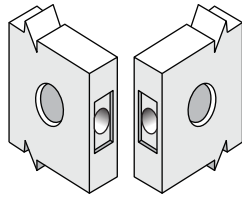


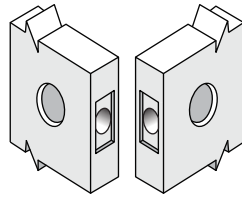
Standard Packaging:

Latchbolt: 2-3/8"
 Face plate: 1" x 2-1/4" RC
 Full Lip Strike

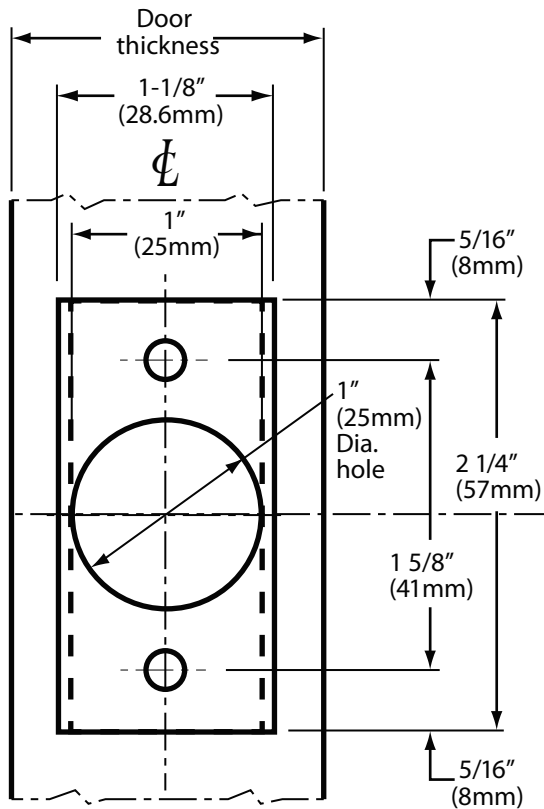
LEFT HANDED DOORS
 OUTSIDE INSIDE



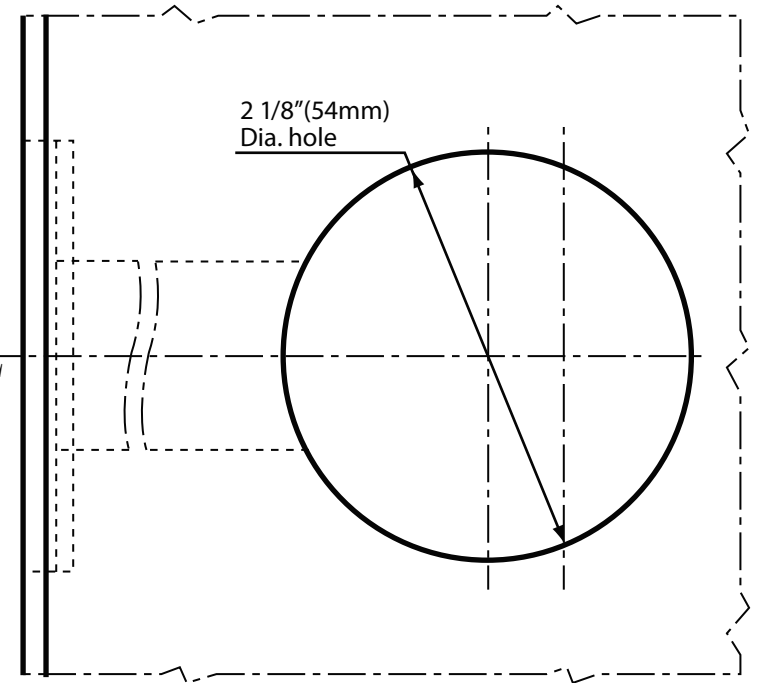
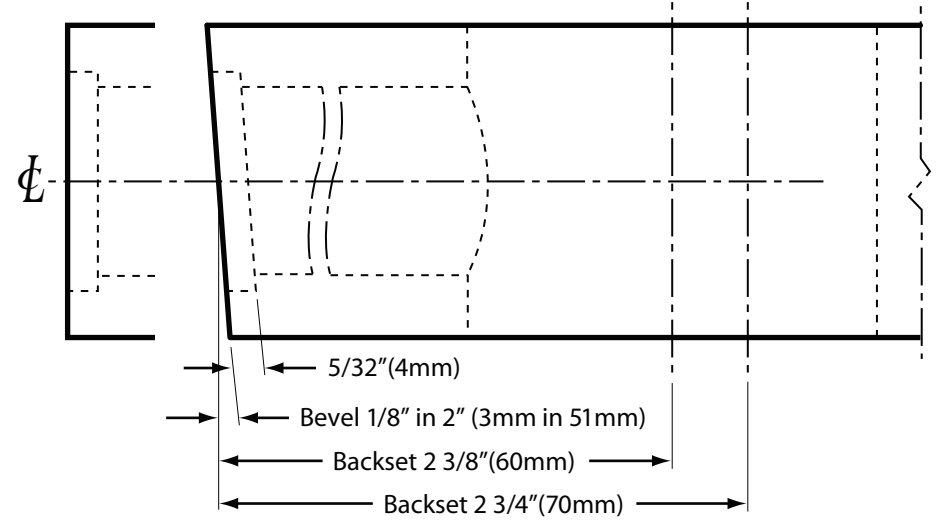
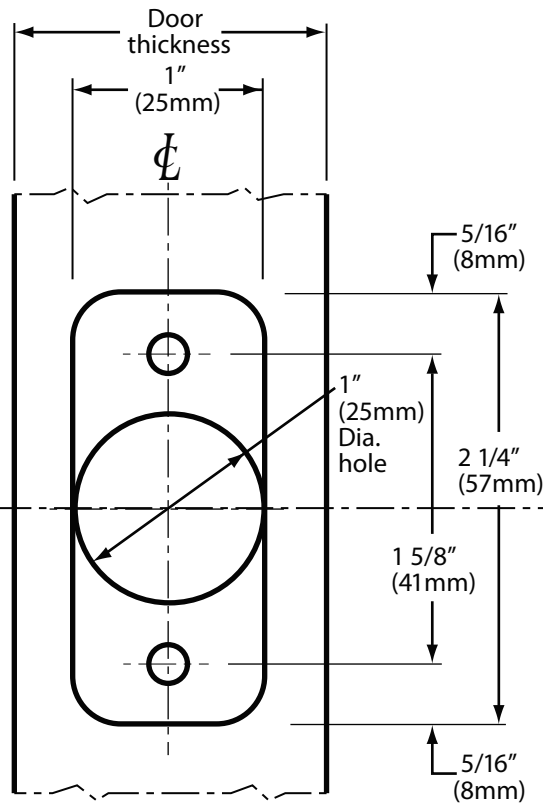
RIGHT HANDED DOORS
 INSIDE OUTSIDE



**Optional
 2-3/8" or 2-3/4" Latch
 Square Corner**



**Standard 2-3/8" Latch
 Round or Square Corner**



6605 Flotilla St.
 City of Commerce
 CA 90040 USA
 Tel: (323) 888-6601
 FAX: (323) 888-6699
 Website: cal-royal.com
 Email: sales@cal-royal.com

ITEM NO.	DESCRIPTION
RES802 RES803, 802, 803	EPIC SERIES RESIDENTIAL PACKAGING PRIVACY AND PASSAGE

ANSI	SCALE	UNIT	VERSION
A156.2 Grade 2	1 : 1 PAGE 1 OF 1	inches (mm)	ver. 1.0 rev. 04/12 BY: bteves/sac