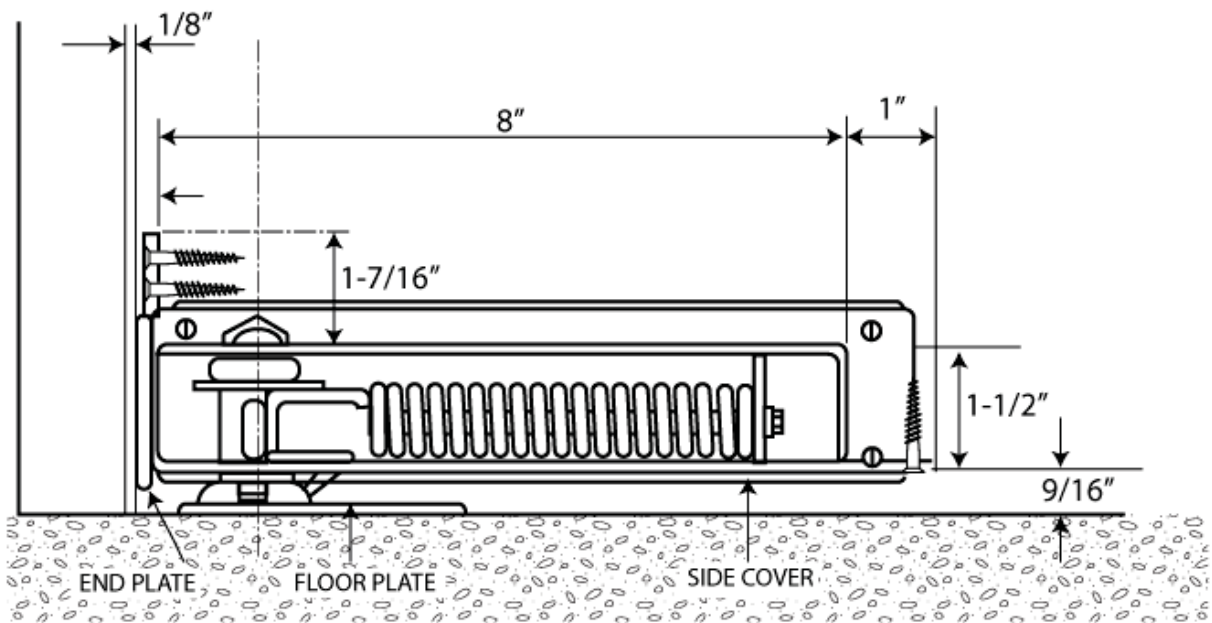
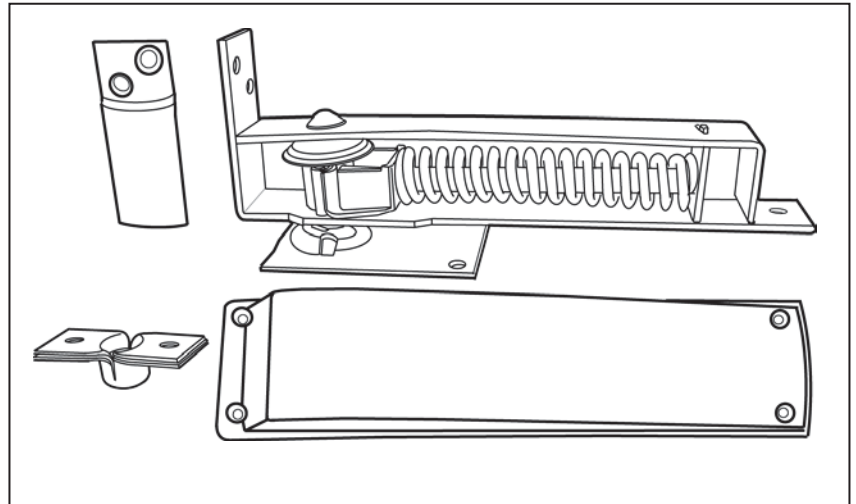


DAFH8



Double-Acting Residential Floor Spring Hinge

- ⊙ Malleable iron and steel mechanism
- ⊙ Steel trim
- ⊙ Double acting spring tension
- ⊙ Heavy Duty ball bearing type with 90° Hold Open
- ⊙ Can hold doors up to 90 lbs.
- ⊙ Door Range 1-1/8" – 1-3/4"



Cal-Royal Products, Inc.

6605 Flotilla St., City of Commerce, CA 90040 U.S.A.

Phone: (323) 888-6601 • (800) 876-9258 • Fax: (323) 888-6699 • (800) 222-3316

Email: sales@cal-royal.com • Website: www.cal-royal.com



The illustration and technical description in this Specification Sheet is current as of the date in the version box above. Cal-Royal Product reserves the right to, and may frequently make changes and/or improvements in designs and dimensions.